

SUZUKI

PARTS CATALOGUE

GSX150DWBL8

(MB8NG4BAGH)



AUG - 2017

1ST EDITION

GSX150DWBL8



Color Code	Description
JBA	SUZUKI GIXXER_BLACK/ORANGE

INFORMATION
ILLUSTRATION INDEX

1

ENGINE
TRANSMISSION

2

ELECTRICAL

3

BODY

4

PARTS NUMBER INDEX

5

ACCESSORIES

6

FIG. NO.	TITLE	ADDRESS NO.
102A	CYLINDER HEAD COVER	1-B-2
103A	CYLINDER HEAD	1-B-3
107A	CYLINDER	1-B-4
108A	CRANKCASE	1-B-5
112A	CRANKCASE COVER	1-B-6
120A	CRANKSHAFT	1-B-7
120A	CRANKSHAFT	1-B-8
122A	STARTER CLUTCH	1-B-9
124A	CRANK BALANCER	1-B-10
126A	CAMSHAFT/VALVE	1-B-11
127A	CAM CHAIN	1-B-12
130A	CARBURETOR	1-B-13
130A	CARBURETOR	1-B-14
155A	AIR CLEANER	1-B-15
163A	MUFFLER	1-C-2
170A	OIL PUMP	1-C-3
189A	2ND AIR	1-C-4
201A	CLUTCH	1-C-5
206A	TRANSMISSION	1-C-6
206A	TRANSMISSION	1-C-7
212A	GEAR SHIFTING	1-C-8
212A	GEAR SHIFTING	1-C-9
240A	KICK STARTER	1-C-10
301A	STARTING MOTOR	1-C-11
303A	MAGNETO	1-C-12
310A	BATTERY	1-C-13
312A	ELECTRICAL	1-C-14
330A	SPEEDOMETER	1-C-15
333A	HEADLAMP	1-D-2
334A	URNSIGNAL LAMP	1-D-3
339A	REAR COMBINATION LAMP	1-D-4
350A	WIRING HARNESS	1-D-5
352A	LOCK SET	1-D-6
355A	HANDLE SWITCH	1-D-7
401A	FRAME	1-D-8

FIG. NO.	TITLE	ADDRESS NO.
407A	STAND	1-D-9
410A	PILLION RIDER HANDLE	1-D-10
415A	FOOTREST	1-D-11
420A	FUEL TANK	1-D-12
421A	FUEL COCK	1-D-13
423A	FUEL TANK COVER	1-D-14
424A	FUEL TANK SIDE COVER	1-D-15
427A	EVAP SYSTEM	1-E-2
445A	FRAME COVER	1-E-3
446A	FRAME LOWER COVER	1-E-4
451A	HEADLAMP HOUSING	1-E-5
460A	FRONT FENDER	1-E-6
462A	HANDLEBAR	1-E-7
467A	HANDLE LEVER	1-E-8
474A	REAR FENDER	1-E-9
496A	LABEL	1-E-10
505A	SEAT	1-E-11
521A	FRONT FORK DAMPER (ENDURANCE)	1-E-12
521A	FRONT FORK DAMPER (ENDURANCE)	1-E-13
521B	FRONT FORK DAMPER (GABRIEL)	1-E-14
521B	FRONT FORK DAMPER (GABRIEL)	1-E-15
524A	STEERING STEM (ENDURANCE)	1-F-2
524B	STEERING STEM (GABRIEL)	1-F-3
530A	FRONT WHEEL	1-F-4
535A	FRONT CALIPER	1-F-5
536A	FRONT BRAKE HOSE	1-F-6
537A	FRONT MASTER CYLINDER	1-F-7
541A	REAR SWINGINGARM	1-F-8
542A	CHAIN CASE	1-F-9
550A	REAR WHEEL	1-F-10
550A	REAR WHEEL	1-F-11
555A	REAR CALIPER	1-F-12
558A	REAR MASTER CYLINDER	1-F-13
970A	OPTIONAL (BUMPER SET)	1-F-14
970B	OPTIONAL (MUFFLER COVER)	1-F-15

PREFACE

When it becomes necessary to replace parts on SUZUKI MOTORCYCLES, always use SUZUKI GENUINE PARTS which have passed a strict inspection which guarantees quality and performance.

This parts catalogue covers the list of all service parts for SUZUKI GSX150DWBL8.

INSTRUCTIONS FOR QUOTING THE CATALOGUE

1. DIMENSIONS

Dimensions of the parts in this catalogue are indicated in unit millimeters.

2. ABBREVIATIONS

Abbreviations used in this catalogue are as follows:

AR	: As required	NT	: Number of teeth
ASSY	: Assembly	OPT	: Optional
E.NO.	: Engine number	OS	: Over size
F.NO.	: Frame number	STD	: Standard
D	: Diameter of material	T	: Thickness
ID	: Inside diameter	US	: Under size
OD	: Outside diameter	W	: Width
L	: Length		
LH	: Left hand side		
RH	: Right hand side		
~ 100045	: Up to F.NO.A100-100045		
100046	: From F.NO.A100-100046		

12 x 34 x 5.6..... Figures in the description column
 | | | show the dimensions of parts.
 ID OD T(or W,L)

→ 12345-56781 (Parts No.) : indicates that the parts number was changed to 12345-56781 and the new parts are interchangeable with the former ones but the former ones are not interchangeable with new ones.

← 12345-56781 (Parts No.) : indicates that the former and new parts are interchangeable with each other and both are usable.

3) INNER PARTS OF ASSEMBLY

Part name with a dot (.) in front as shown in the description column indicates the component of the assembly also available individually.

4) MODIFICATION NOTICE

A parts bulletin will be sent to you on all occasions when changes in parts occur, including interchangeable modifications between new parts and old ones.

5. NOTE

5-1. There are some different parts from those of production models among spare parts for the administrative reasons and common use of them with other models.

5-2. In respect of rubber hoses and vinyl tubes, please be sure to use them by cutting off according to the length mentioned on parts catalogue or what is actually required on the vehicle.

5-3. Note that the drawings on the illustration page are for ready reference of spare parts number, not to be used as an assembly manual.
 When assembling, use "SUZUKI SERVICE MANUAL".

6. SPECIFICATION CODE

This catalogue contains the parts for the model designed for the following spec.;
 spec. code : P74.

7. SERIAL FRAME NUMBER

GSX150DWBL8 : MB8NG4BAGH8318174

*Note

1) 9th Digit of frame number signifies month of production

MONTH	CODE
January	A
February	B
March	C
April	D
May	E
June	F
July	G
August	H
September	J
October	K
November	L
December	M

2) 10th digit of frame no signifies year of production

YEAR	CODE
2010	A
2011	B
2012	C
2013	D
2014	E
2015	F
2016	G
2017	H





**COLOUR CHART
TABLEAU COULEURS**

COLOR NO. NO DE COULEUR	COLOUR DESCRIPTION DESCRIPTION DE COULEUR	COLOR NO. NO DE COULEUR	COLOUR DESCRIPTION DESCRIPTION DE COULEUR
AW1	PTA,PVG		
BPQ	YME,YVB,YWW		
BP3	YVZ,QC3		
BP7	YME,YVB,YWW,YD8,YMD,YGR,07G		
JBA	YVB,YME		
PTA	LTHR.BLACK		
PVG	STITCH RED		
QC3	MET.MAT BLACK		
YD8	SONIC SILVER METALLIC		
YGR	PEARL MAYA ORANGE		
YKS	FIERY RED		
YMD	MISTIC SILVER METALLIC		
YME	CANDY MAX ORANGE		
YVB	GLASS SPARKLE BLACK		
YVZ	PEARL MIRARED		
YWW	PEARL GLACIER WHITE		
019	BLACK		
07G	PURE RED		
291	BLACK (SEMI-GLOSS)		

MILLIMETER - INCH CONVERSION CHART

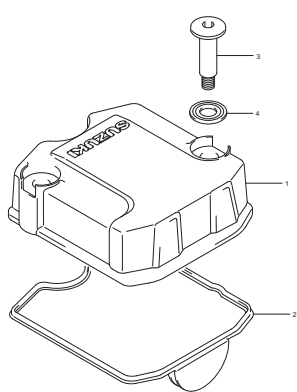
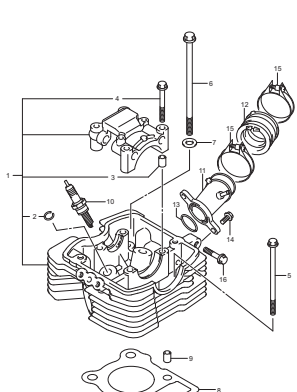
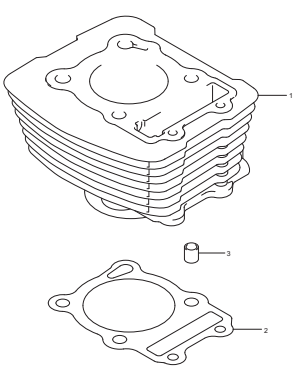
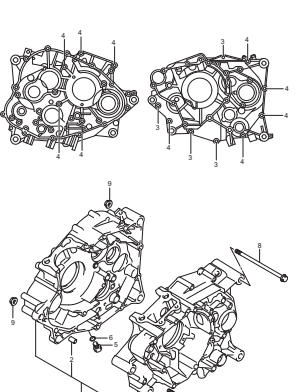
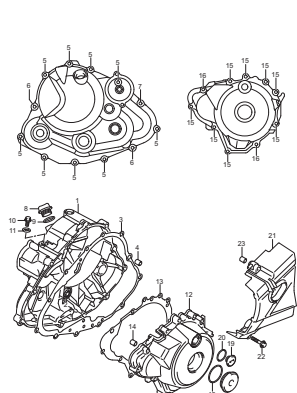
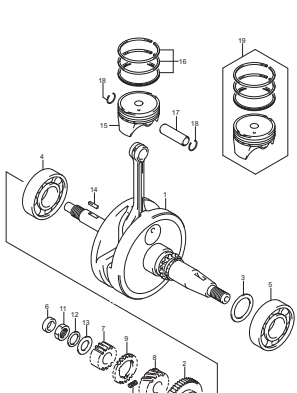
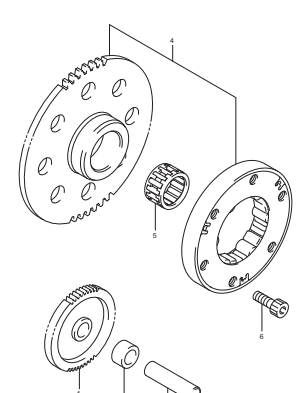
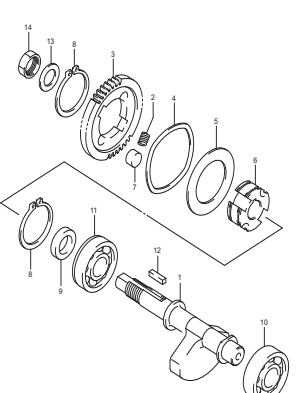
	0	1	2	3	4	5	6	7	8	9
00	.000	.039	.079	.118	.157	.197	.236	.276	.315	.354
10	.394	.433	.472	.512	.551	.591	.630	.669	.709	.748
20	.787	.827	.866	.906	.945	.984	1.024	1.063	1.102	1.142
30	1.181	1.220	1.260	1.299	1.339	1.378	1.417	1.457	1.496	1.535
40	1.575	1.614	1.654	1.693	1.732	1.772	1.811	1.850	1.890	1.929
50	1.969	2.008	2.047	2.087	2.126	2.165	2.205	2.214	2.283	2.323
60	2.362	2.402	2.441	2.480	2.520	2.559	2.598	2.638	2.677	2.717
70	2.756	2.795	2.835	2.874	2.913	2.953	2.992	3.031	3.071	3.110
80	3.150	3.189	3.228	3.268	3.307	3.346	3.386	3.426	3.465	3.504
90	3.543	3.583	3.622	3.662	3.701	3.740	3.780	3.819	3.858	3.896

How to read

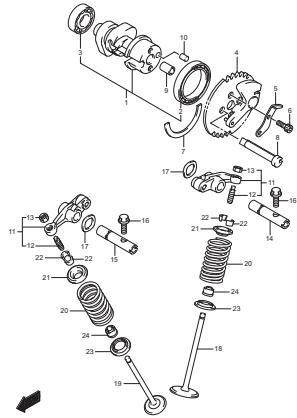
	0	1	2	3	4
00	---	---	---	---	---
10	---	---	---	---	---
20	---	---	---	0.906	---
30	---	---	---	---	---

23 millimeters equal 0.906 inch

Contents are subject to change without notice or obligation.

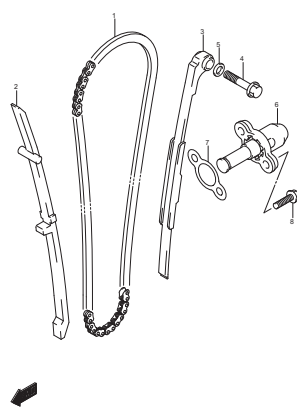
<p>102A CYLINDER HEAD COVER (B-2)</p>  <p>GSX150DWBL8_P74_102A CYLINDER HEAD COVER</p>	<p>103A CYLINDER HEAD (B-3)</p>  <p>GSX150DWBL8_P74_103A CYLINDER HEAD</p>	<p>107A CYLINDER (B-4)</p>  <p>GSX150DWBL8_P74_107A CYLINDER</p>	<p>108A CRANKCASE (B-5)</p>  <p>GSX150DWBL8_P74_108A CRANKCASE</p>
<p>112A CRANKCASE COVER (B-6)</p>  <p>GSX150DWBL8_P74_112A CRANKCASE COVER</p>	<p>120A CRANKSHAFT (B-7)</p>  <p>GSX150DWBL8_P74_120A CRANKSHAFT</p>	<p>122A STARTER CLUTCH (B-9)</p>  <p>GSX150DWBL8_P74_122A STARTER CLUTCH</p>	<p>124A CRANK BALANCER (B-10)</p>  <p>GSX150DWBL8_P74_124A CRANK BALANCER</p>

126A CAMSHAFT/VALVE (B-11)



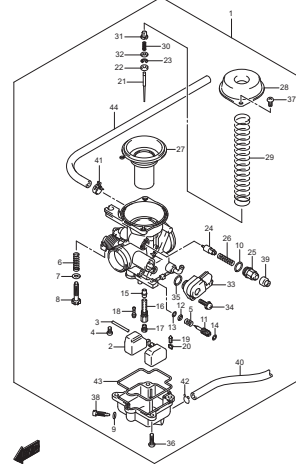
GSX150DWBL8_P74_126A
CAMSHAFT/VALVE

127A CAM CHAIN (B-12)



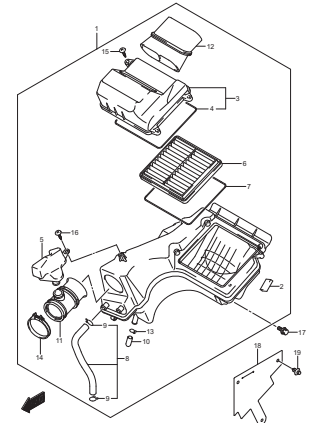
GSX150DWBL8_P74_127A
CAM CHAIN

130A CARBURETOR (B-13)



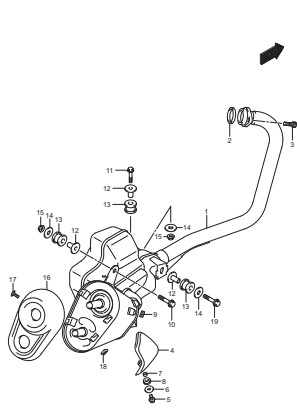
GSX150DWBL8_P74_130A
CARBURETOR

155A AIR CLEANER (B-15)



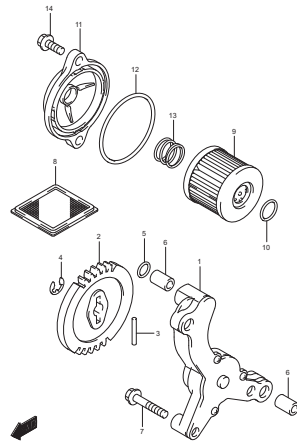
GSX150DWBL8_P74_155A
AIR CLEANER

163A MUFFLER (C-2)



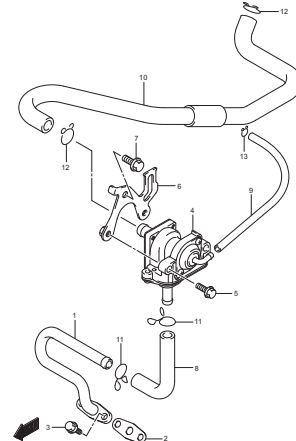
GSX150DWBL8_P74_163A
MUFFLER

170A OIL PUMP (C-3)



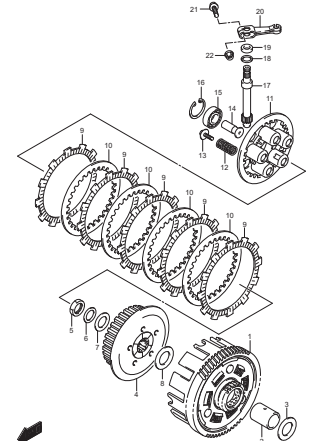
GSX150DWBL8_P74_170A
OIL PUMP

189A 2ND AIR (C-4)

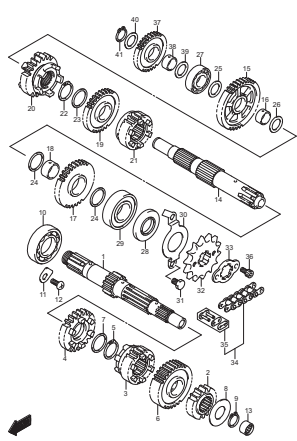
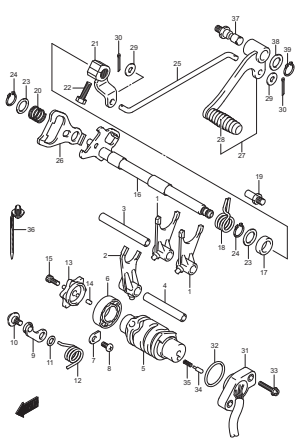
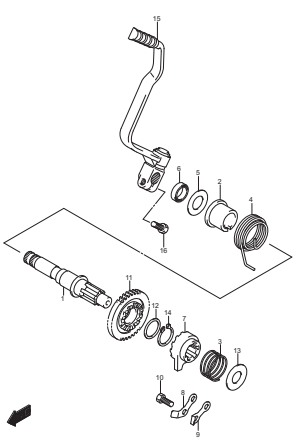
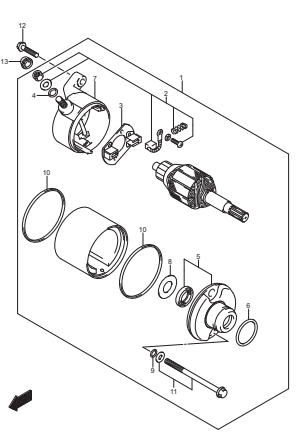
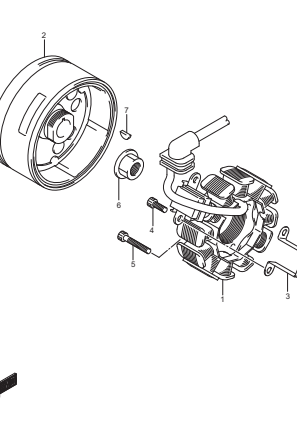
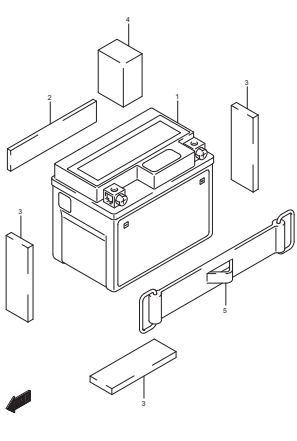
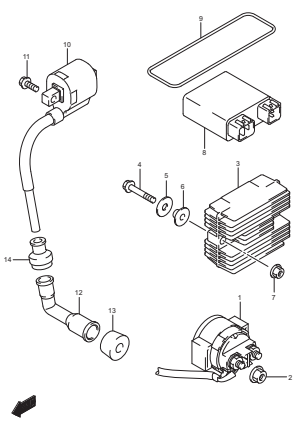
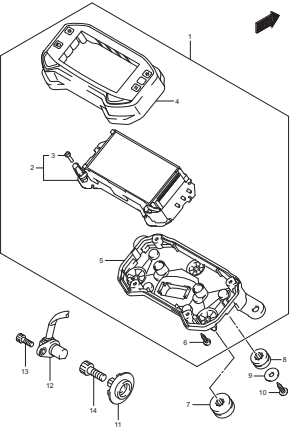


GSX150DWBL8_P74_189A
2ND AIR

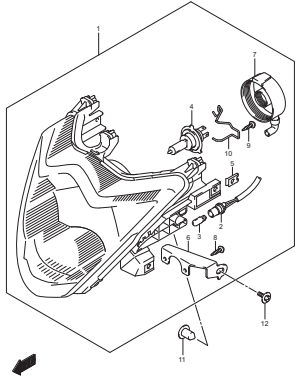
201A CLUTCH (C-5)



GSX150DWBL8_P74_201A
CLUTCH

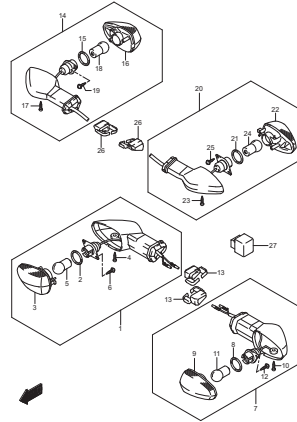
<p>206A TRANSMISSION (C-6)</p>  <p>GSX150DWBL8_P74_206A TRANSMISSION</p>	<p>212A GEAR SHIFTING (C-8)</p>  <p>GSX150DWBL8_P74_212A GEAR SHIFTING</p>	<p>240A KICK STARTER (C-10)</p>  <p>GSX150DWBL8_P74_240A KICK STARTER</p>	<p>301A STARTING MOTOR (C-11)</p>  <p>GSX150DWBL8_P74_301A STARTING MOTOR</p>
<p>303A MAGNETO (C-12)</p>  <p>GSX150DWBL8_P74_303A MAGNETO</p>	<p>310A BATTERY (C-13)</p>  <p>GSX150DWBL8_P74_310A BATTERY</p>	<p>312A ELECTRICAL (C-14)</p>  <p>GSX150DWBL8_P74_312A ELECTRICAL</p>	<p>330A SPEEDOMETER (C-15)</p>  <p>GSX150DWBL8_P74_330A SPEEDOMETER</p>

333A HEADLAMP (D-2)



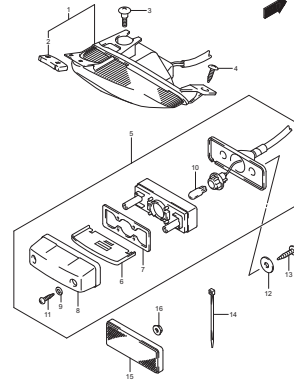
GSX150DWBL8_P74_333A
HEADLAMP

334A TURNSIGNAL LAMP (D-3)



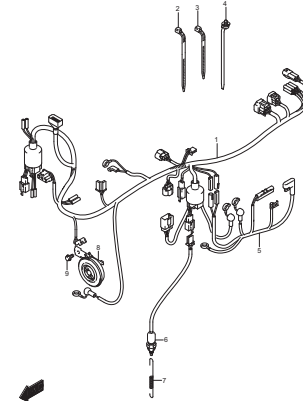
GSX150DWBL8_P74_334A
TURNSIGNAL LAMP

339A REAR COMBINATION LAMP (D-4)



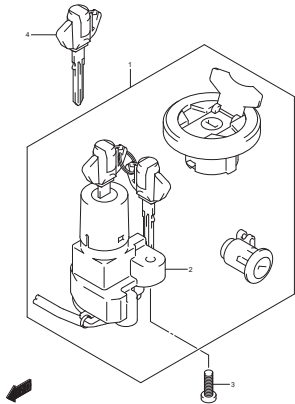
GSX150DWBL8_P74_339A
REAR COMBINATION LAMP

350A WIRING HARNESS (D-5)



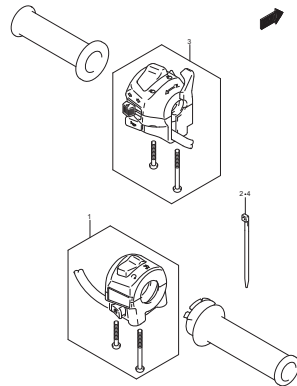
GSX150DWBL8_P74_350A
WIRING HARNESS

352A LOCK SET (D-6)



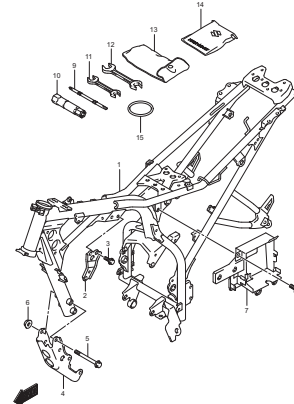
GSX150DWBL8_P74_352A
LOCK SET

355A HANDLE SWITCH (D-7)



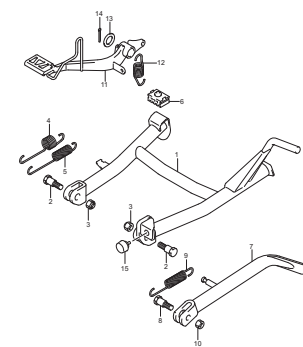
GSX150DWBL8_P74_355A
HANDLE SWITCH

401A FRAME (D-8)

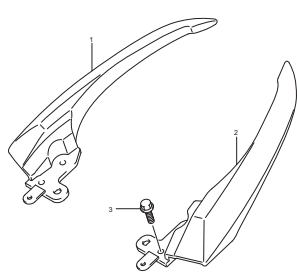
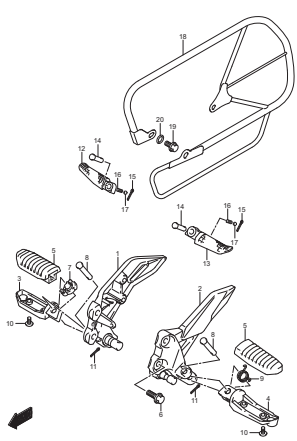
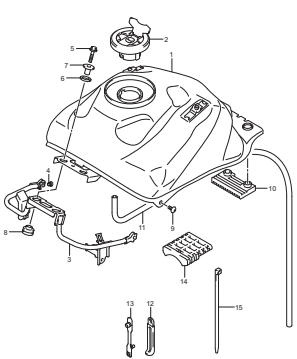
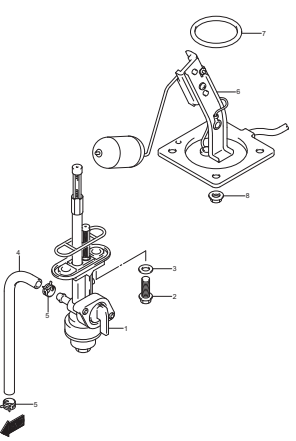
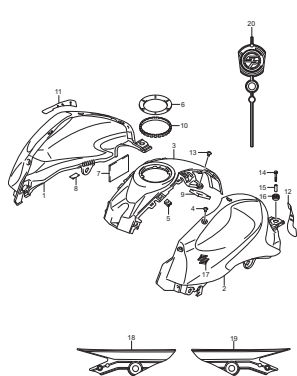
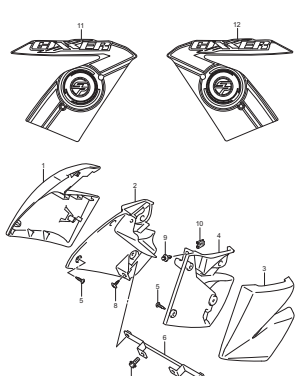
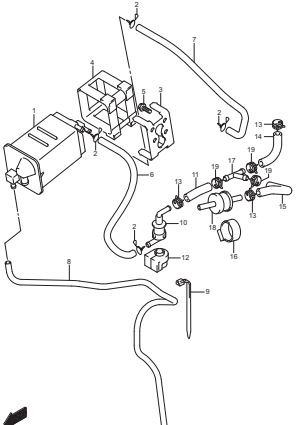
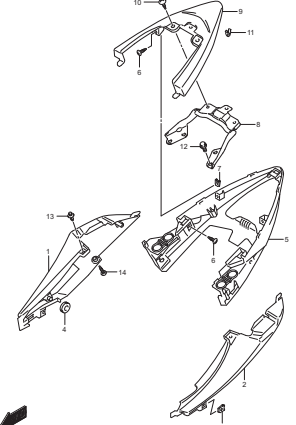


GSX150DWBL8_P74_401A
FRAME

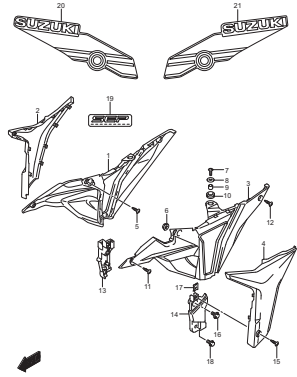
407A STAND (D-9)



GSX150DWBL8_P74_407A
STAND

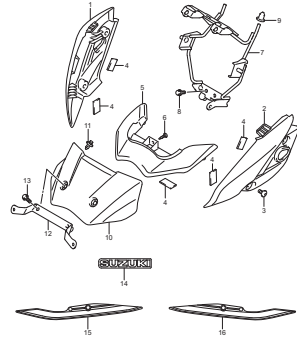
<p>410A PILLION RIDER HANDLE (D-10)</p>  <p>GSX150DWBL8_P74_410A PILLION RIDER HANDLE</p>	<p>415A FOOTREST (D-11)</p>  <p>GSX150DWBL8_P74_415A FOOTREST</p>	<p>420A FUEL TANK (D-12)</p>  <p>GSX150DWBL8_P74_420A FUEL TANK</p>	<p>421A FUEL COCK (D-13)</p>  <p>GSX150DWBL8_P74_421A FUEL COCK</p>
<p>423A FUEL TANK COVER (D-14)</p>  <p>GSX150DWBL8_P74_423A FUEL TANK COVER</p>	<p>424A FUEL TANK SIDE COVER (D-15)</p>  <p>GSX150DWBL8_P74_424A FUEL TANK SIDE COVER</p>	<p>427A EVAP SYSTEM (E-2)</p>  <p>GSX150DWBL8_P74_427A EVAP SYSTEM</p>	<p>445A FRAME COVER (E-3)</p>  <p>GSX150DWBL8_P74_445A FRAME COVER</p>

446A FRAME LOWER COVER (E-4)



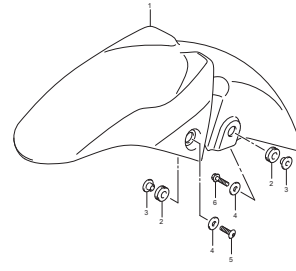
GSX150DWBL8_P74_446A
FRAME LOWER COVER

451A HEADLAMP HOUSING (E-5)



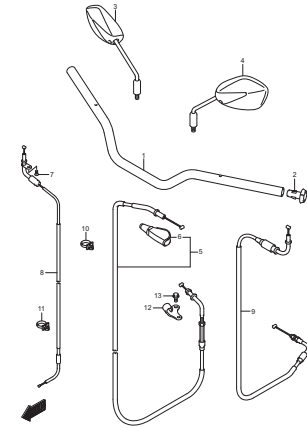
GSX150DWBL8_P74_451A
HEADLAMP HOUSING

460A FRONT FENDER (E-6)



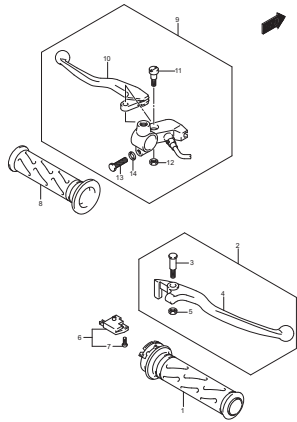
GSX150DWBL8_P74_460A
FRONT FENDER

462A HANDLEBAR (E-7)



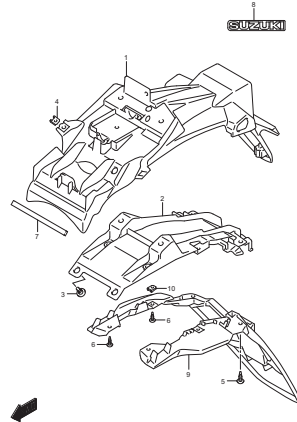
GSX150DWBL8_P74_462A
HANDLEBAR

467A HANDLE LEVER (E-8)



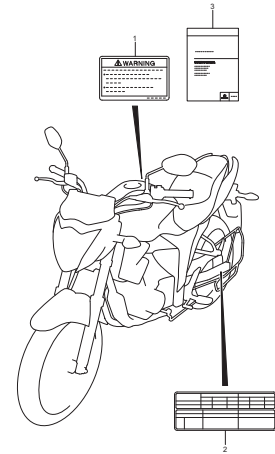
GSX150DWBL8_P74_467A
HANDLE LEVER

474A REAR FENDER (E-9)



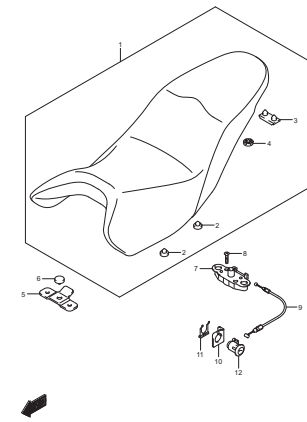
GSX150DWBL8_P74_474A
REAR FENDER

496A LABEL (E-10)



GSX150DWBL8_P74_496A
LABEL

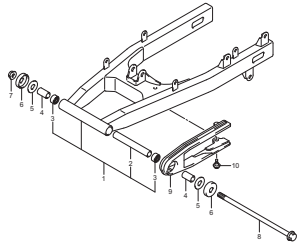
505A SEAT (E-11)



GSX150DWBL8_P74_505A
SEAT

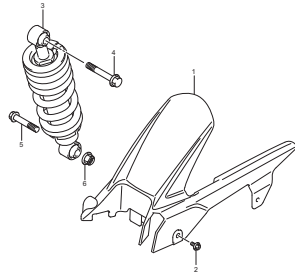
<p>521A FRONT FORK DAMPER (ENDURANCE) (E-12)</p> <p>GSX150DWBL8_P74_521A FRONT FORK DAMPER</p>	<p>521B FRONT FORK DAMPER (GABRIEL) (E-14)</p> <p>GSX150DWBL8_P74_521B FRONT FORK DAMPER</p>	<p>524A STEERING STEM (ENDURANCE) (F-2)</p> <p>GSX150DWBL8_P74_524A STEERING STEM</p>	<p>524B STEERING STEM (GABRIEL) (F-3)</p> <p>GSX150DWBL8_P74_524B STEERING STEM</p>
<p>530A FRONT WHEEL (F-4)</p> <p>GSX150DWBL8_P74_530A FRONT WHEEL</p>	<p>535A FRONT CALIPER (F-5)</p> <p>GSX150DWBL8_P74_535A FRONT CALIPER</p>	<p>536A FRONT BRAKE HOSE (F-6)</p> <p>GSX150DWBL8_P74_536A FRONT BRAKE HOSE</p>	<p>537A FRONT MASTER CYLINDER (F-7)</p> <p>GSX150DWBL8_P74_537A FRONT MASTER CYLINDER</p>

541A REAR SWINGARM (F-8)



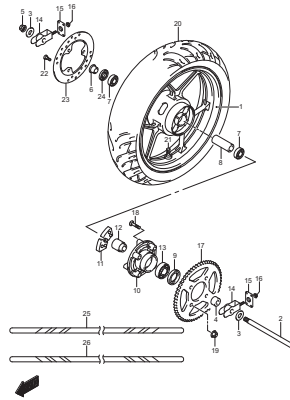
GSX150DWBL8_P74_541A
REAR SWINGARM

542A CHAIN CASE (F-9)



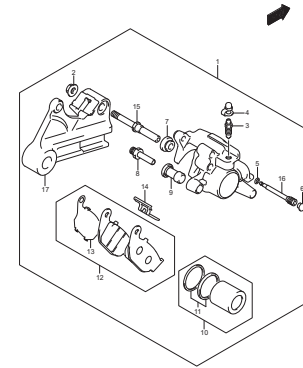
GSX150DWBL8_P74_542A
CHAIN CASE

550A REAR WHEEL (F-10)



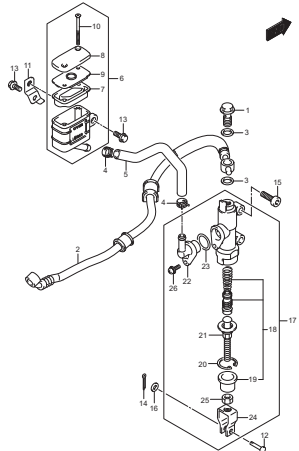
GSX150DWBL8_P74_550A
REAR WHEEL

555A REAR CALIPER (F-12)



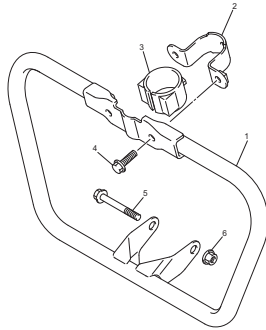
GSX150DWBL8_P74_555A
REAR CALIPER

558A REAR MASTER CYLINDER (F-13)



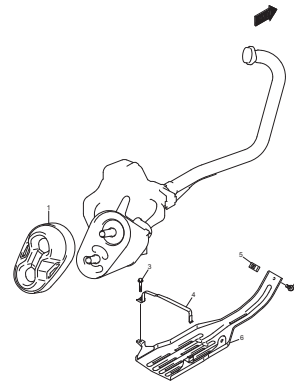
GSX150DWBL8_P74_558A
REAR MASTER CYLINDER

970A OPTIONAL (BUMPER SET) (F-14)



GSX150DWBL8_P74_970A
OPTIONAL

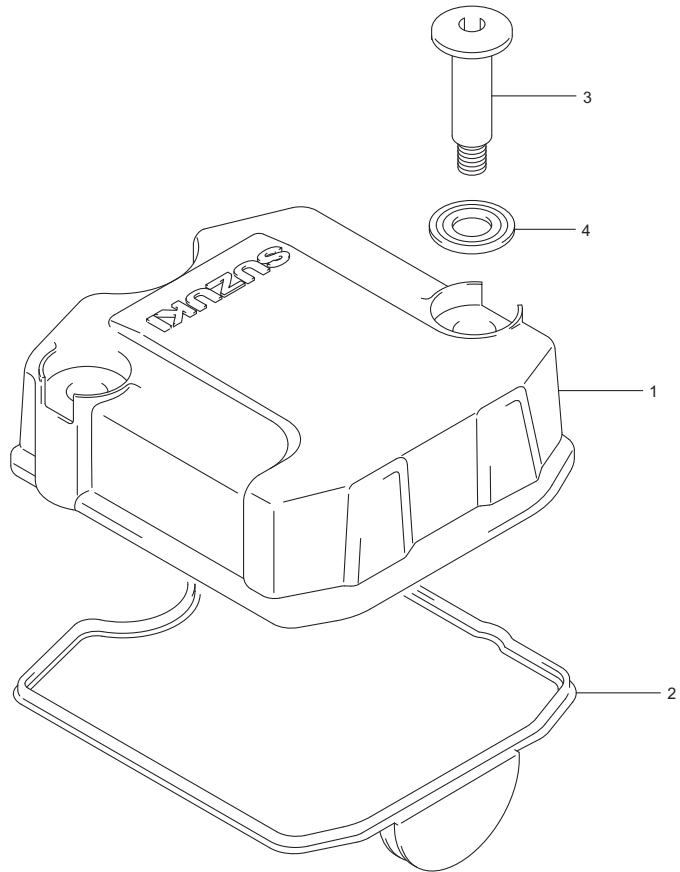
970B OPTIONAL (MUFFLER COVER) (F-15)



GSX150DWBL8_P74_970B
OPTIONAL

102A

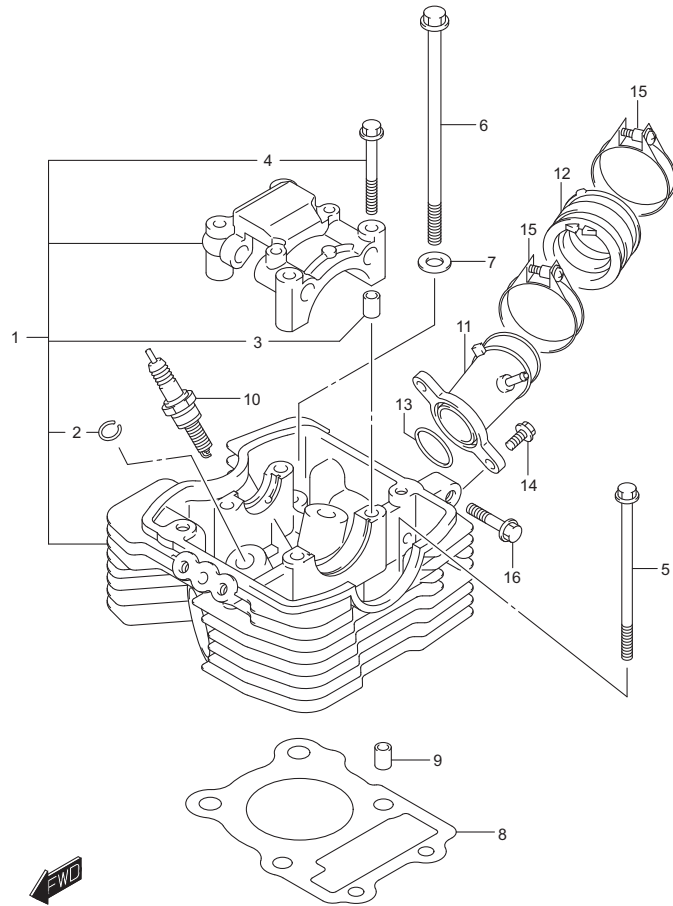
102A (B-2) CYLINDER HEAD COVER



REF NO.	PART NO.	DESCRIPTION	QTY	REMARKS
1	11171-34J00-000	COVER, CYLINDER HEAD	1	
2	11173-34J00-000	GASKET, CYL HEAD COVER	1	
3	09106-07011-000	BOLT (7X37)	2	
4	11191-27E30-000	WASHER, HEAD COVER	2	

103A

2

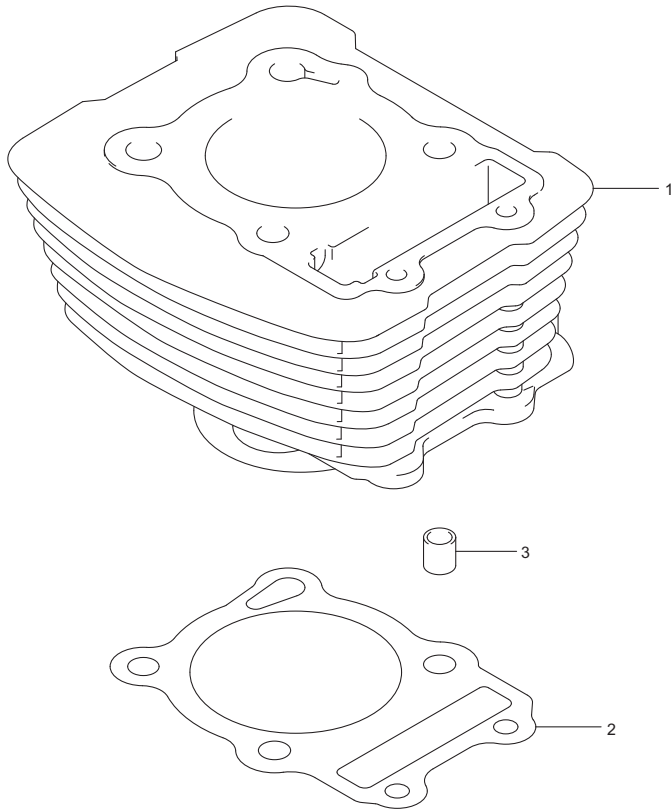


103A (B-3) CYLINDER HEAD

REF NO.	PART NO.	DESCRIPTION	QTY	REMARKS
1	11100-34J00-000	HEAD ASSY, CYLINDER	1	
2	09381-10004-000	.SNAP RING	2	
3	09206-08008-000	.PIN (6.3X8X12)	2	
4	09103-06316-000	.BOLT	4	
5	09103-06015-000	BOLT (6X110)	2	
6	09103-08531-000	BOLT (L140)	4	
7	09160-08164-000	WASHER (8.5X18X2.3)	4	
8	11141-34J00-000	GASKET, CYLINDER HEAD	1	
9	09206-10016-000	PIN (8.2X10X13)	2	
10-1	09482-00627-000	SPARK PLUG (U22EPR9)	1	DENSO
10-2	09482-00638-000	SPARK PLUG (RG8YC)	1	CHAMPION
11	13110-34J00-000	PIPE, INTAKE NO.1	1	
12	13121-34J00-000	PIPE, INTAKE NO.2	1	
13	09280-29007-000	O RING	1	
14	01547-0616A-000	BOLT	2	
15	09402-46211-000	CLAMP	2	
16	01550-0820B-000	BOLT	1	

107A

107A (B-4) CYLINDER



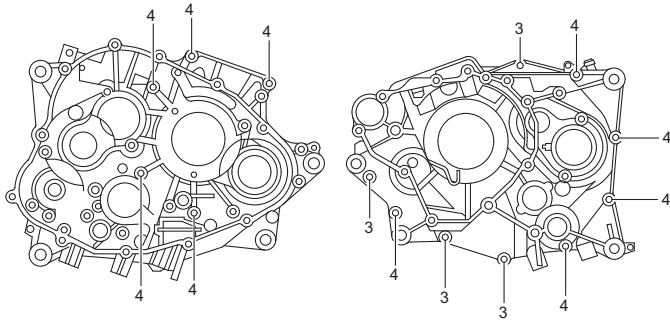
REF NO.	PART NO.	DESCRIPTION	QTY	REMARKS
1	11210-34J10-0F0	CYLINDER (YELLOW)	1	
2	11241-34J00-000	GASKET, CYLINDER	1	
3	09206-10016-000	PIN (8.2X10X13)	2	

2



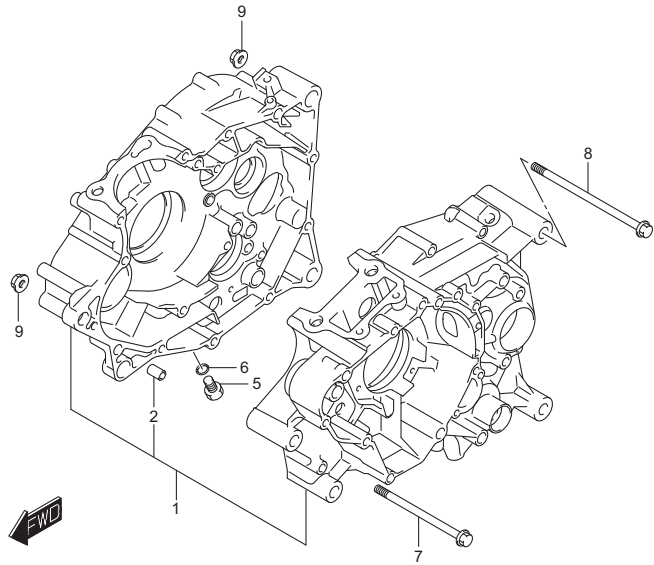
108A

2

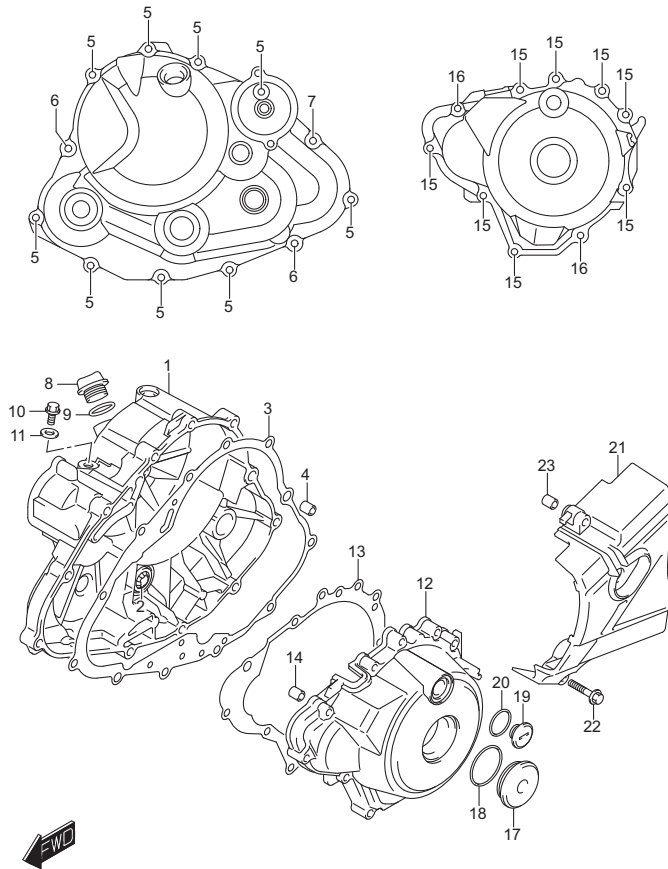


108A (B-5) CRANKCASE

REF NO.	PART NO.	DESCRIPTION	QTY	REMARKS
1	11300-34J00-000	CRANKCASE ASSY	1	
2	04211-09149-000	.PIN	2	
3	01547-0650B-000	.BOLT	4	
4	01547-0660B-000	.BOLT	10	
5	01500-1016A-000	BOLT	1	OIL DRAIN
6	09168-10L03-000	GASKET	1	
7	09103-10709-000	BOLT (10X85)	2	
8	09103-10077-000	BOLT (10X140)	2	
9	08319-3110B-000	NUT	4	



112A



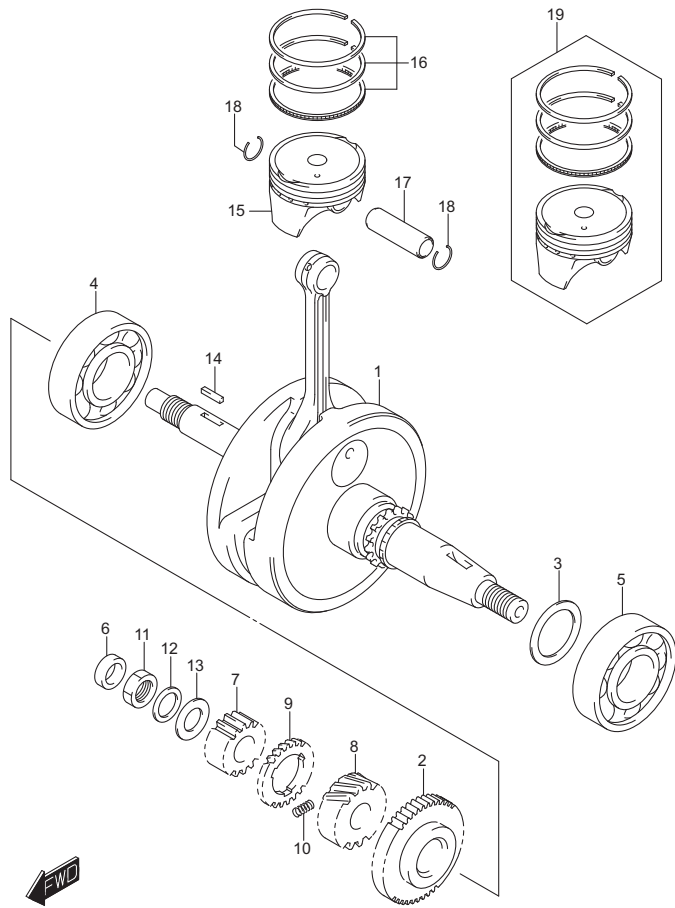
112A (B-6) CRANKCASE COVER

REF NO.	PART NO.	DESCRIPTION	QTY	REMARKS
1	11340-34J00-000	COVER, CLUTCH	1	
2	11971-45010-000	.LENS, OIL LEVEL	1	
3	11482-34J00-000	GASKET, CLUTCH COVER	1	
4	04211-09149-000	PIN	2	
5	01547-0630B-000	BOLT	9	
6	01547-0640B-000	BOLT	2	
7	01547-0695B-000	BOLT	1	
8	11971-30H00-000	PLUG, OIL FILLER	1	
9	09280-17003-000	O RING (D:3.1,ID:16.8)	1	
10	01550-0812B-000	BOLT	1	
11	09168-08015-000	GASKET (8.2X14X1.6)	1	
12	11351-34J00-000	COVER, MAGNETO	1	
13	11483-34J00-000	GASKET, MAGNETO COVER	1	
14	04211-09149-000	PIN	2	
15	01547-0630B-000	BOLT	8	
16	01547-0640B-000	BOLT	2	
17	09259-36026-000	PLUG	1	
18	09280-33004-000	O RING (D:3.1,ID:32.7)	1	
19	11352-34J00-000	PLUG, TOP	1	
20	09280-14003-000	O RING (D:2.4,ID:13.8)	1	
21	11360-34J00-000	COVER, ENGINE SPROCKET	1	
22	01547-0640B-000	BOLT	2	
23	04211-09149-000	PIN	2	

2

120A

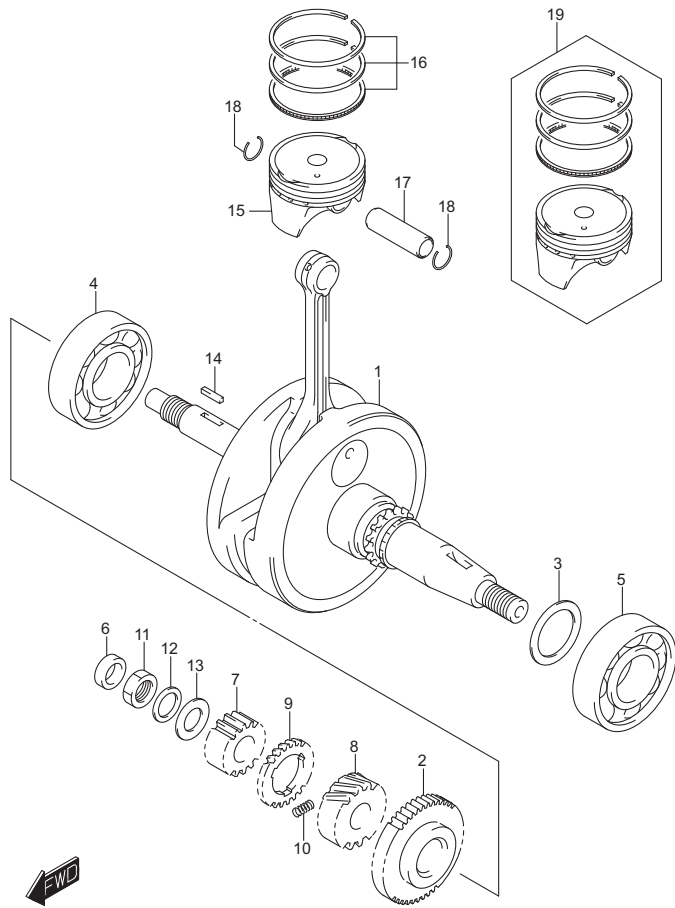
2



120A (B-7) CRANKSHAFT

REF NO.	PART NO.	DESCRIPTION	QTY	REMARKS
1-1	12200-34J01-0A0	CRANKSHAFT ASSY (GREEN)	1	
1-2	12200-34J01-0B0	CRANKSHAFT ASSY (BLACK)	1	
2-1	12661-34J00-0A0	GEAR, CRANK BALANCER DRIVE (NT:44) (BLUE/ORANGE)	1	
2-2	12661-34J00-0B0	GEAR, CRANK BALANCER DRIVE (NT:44) (RED/ORANGE)	1	
2-3	12661-34J00-0C0	GEAR, CRANK BALANCER DRIVE (NT:44) (BLUE/GREEN)	1	
2-4	12661-34J00-0D0	GEAR, CRANK BALANCER DRIVE (NT:44) (RED/GREEN)	1	
3-1	09181-28187-000	SHIM (T:0.6)	1	
3-2	09181-28021-000	SHIM (T:0.65)	1	
3-3	09181-28188-000	SHIM (T:0.7)	1	
3-4	09181-28189-000	SHIM (T:0.75)	1	
3-5	09181-28190-000	SHIM (T:0.8)	1	
3-6	09181-28191-000	SHIM (T:0.85)	1	
3-7	09181-28192-000	SHIM (T:0.9)	1	
3-8	09181-28193-000	SHIM (T:0.95)	1	
3-9	09181-28194-000	SHIM (T:1.0)	1	
3-10	09181-28197-000	SHIM (T:1.05)	1	
3-11	09181-28200-000	SHIM (T:1.1)	1	
3-12	09181-28202-000	SHIM (T:1.15)	1	
3-13	09181-28204-000	SHIM (T:1.2)	1	
3-14	09181-28207-000	SHIM (T:1.25)	1	
3-15	09181-28209-000	SHIM (T:1.3)	1	
4	09262-28L07-000	BEARING	1	RH
5	09262-35L13-000	BEARING	1	LH
6	09282-12013-000	OIL SEAL (12X21X7)	1	
7	16321-34J00-000	GEAR, OIL PUMP DRIVE (NT:15)	1	
8	21111-34J00-000	GEAR, PRIMARY DRIVE (NT:22)	1	
9	21112-34J00-000	GEAR, PRIMARY DRIVE SCISSORS (NT:22)	1	
10	21114-34J00-000	SPRING, PRI DRIVE GEAR	3	

120A



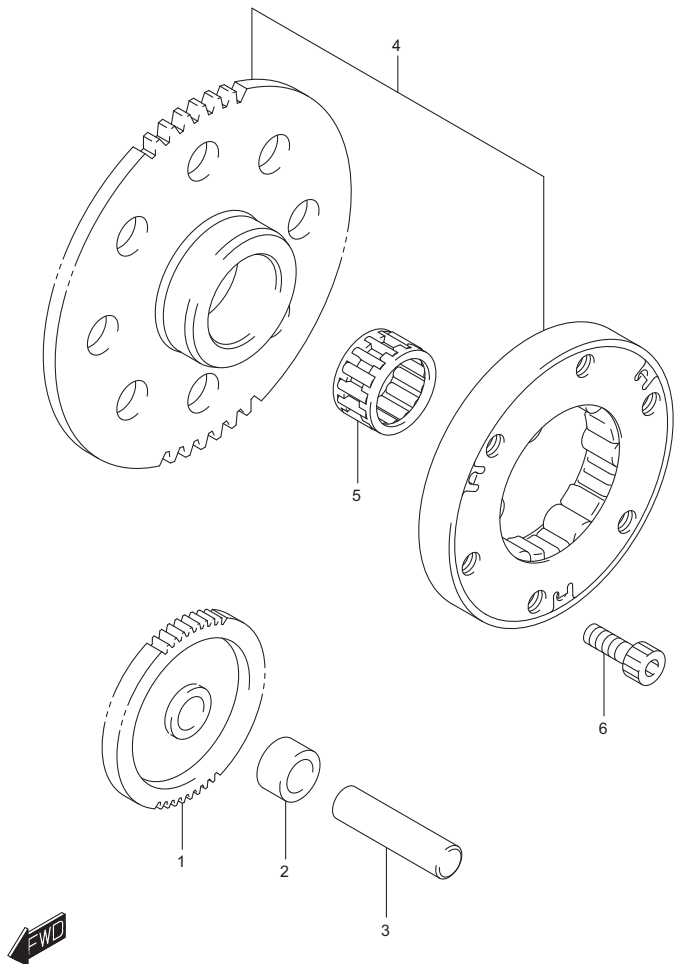
120A (B-8) CRANKSHAFT

REF NO.	PART NO.	DESCRIPTION	QTY	REMARKS
11	09140-16035-000	NUT	1	
12	21143-34J00-000	WASHER, PRIMARY DRIVE GEAR WAVE	1	
13	08211-16281-000	WASHER	1	
14	21116-34J00-000	KEY, PRIMARY DRIVE GEAR	1	
15	12111-34J01-0F0	PISTON (YELLOW)	1	
16	12140-34J01-000	RING SET, PISTON	1	
17	12151-34J00-000	PIN, PISTON	1	
18	09381-14001-000	SNAP RING	2	
19	12100-34J01-050	PISTON SET (OS:0.5)	1	OPT

2

122A

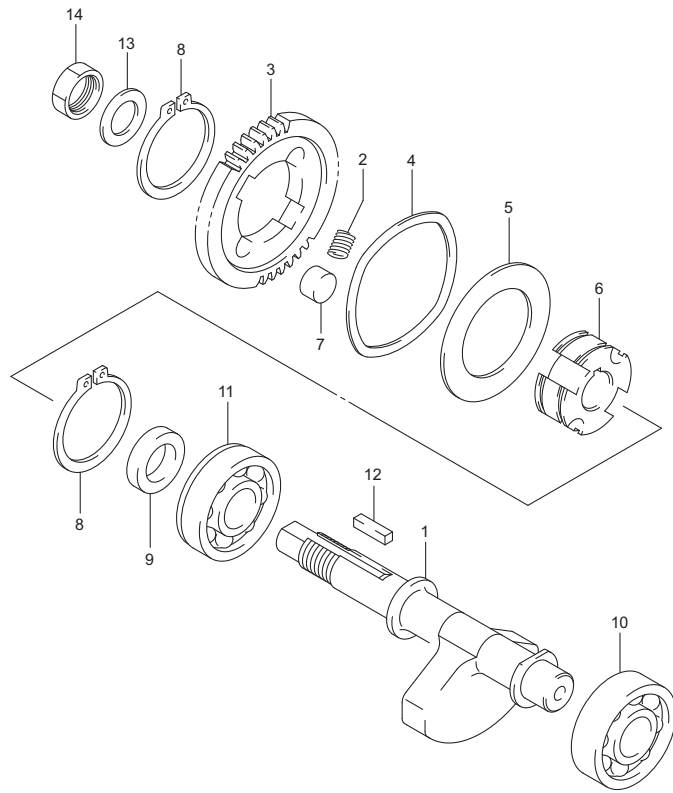
2



122A (B-9) STARTER CLUTCH

REF NO.	PART NO.	DESCRIPTION	QTY	REMARKS
1	12611-34J00-000	GEAR, STARTER IDLE (NT:16/56)	1	
2	09180-10163-000	SPACER	1	
3	09202-10012-000	PIN	1	
4	12600-34830-000	CLUTCH SET, STARTER (NT:59)	1	
5	09263-22L04-000	BEARING	1	
6	07130-0616A-000	BOLT	3	

124A



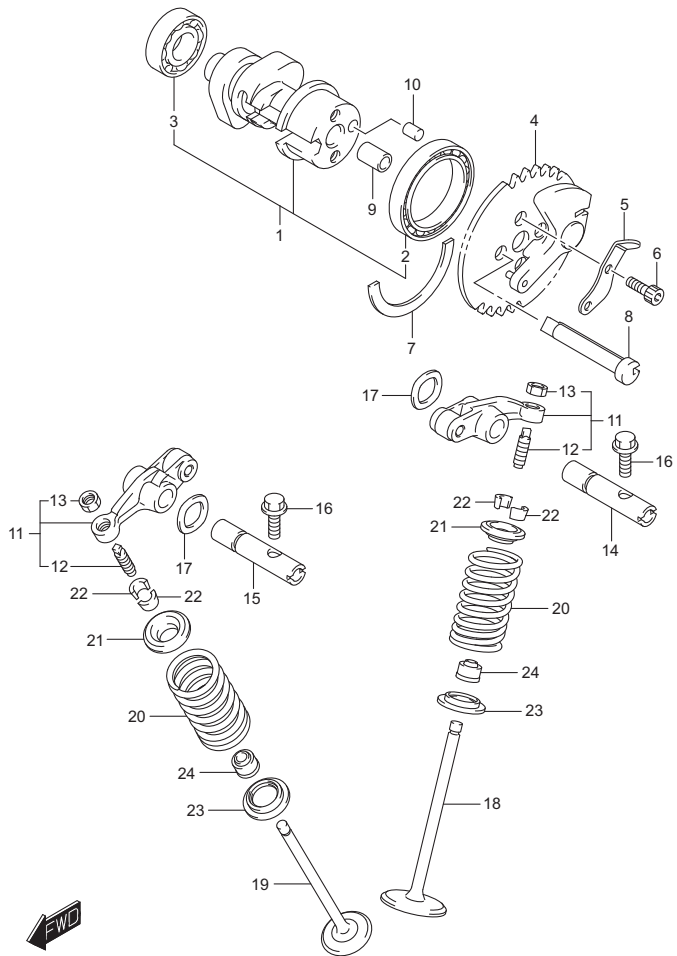
124A (B-10) CRANK BALANCER

REF NO.	PART NO.	DESCRIPTION	QTY	REMARKS
1	12651-34J00-000	BALANCER, CRANK	1	
2	12663-47E50-000	SPRING	2	
3-1	12666-34J00-0A0	GEAR, CRANK BALANCER DRIVEN (NT:44)	1	BLUE
3-2	12666-34J00-0B0	GEAR, CRANK BALANCER DRIVEN (NT:44)	1	RED
4	12662-34J00-000	WASHER, CRK BAL DRIVEN GR NO.1	1	
5	12662-34J10-000	WASHER, CRK BAL DRIVEN GR NO.2	1	
6	12669-34J00-000	RACE, CRK BAL DRIVEN GEAR INNER	1	
7	12686-34J00-000	DAMPER	2	
8	08331-31359-000	CIRCLIP	2	
9	12668-34J00-000	SPACER, CRANK BAL DRN GEAR	1	
10	09262-15L10-000	BEARING	1	LH
11	09262-15L09-000	BEARING	1	RH
12	09421-04009-000	KEY	1	
13	08211-14242-000	WASHER	1	
14	09140-14022-000	NUT	1	

2

126A

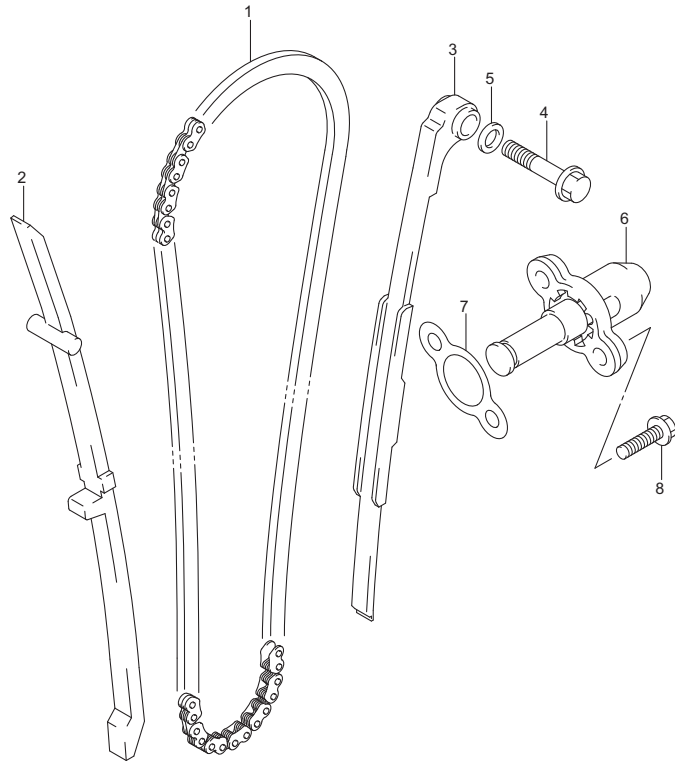
2



126A (B-11) CAMSHAFT/VALVE

REF NO.	PART NO.	DESCRIPTION	QTY	REMARKS
1	12710-34J01-000	CAM SHAFT	1	
2	09262-30126-000	.BEARING	1	LH
3	09262-12039-000	.BEARING	1	RH
4	12740-34J01-000	SPROCKET, CAMSHAFT (NT:34)	1	
5	12714-34J10-000	WASHER, SPROCKET	1	
6	09106-05028-000	BOLT (5X15)	2	
7	12749-34J00-000	C RING, CAMSHAFT	1	
8	12951-34J10-000	CAM, DECOMPRESSION	1	
9	09206-08008-000	PIN (6.3X8X12)	1	KNOCK
10	09261-05005-000	PIN (5X8)	1	ANGLE
11	12840-34J10-000	ARM ASSY, VALVE ROCKER	2	
12	12842-34J00-000	.SCREW, TAPPET ADJUSTING	2	
13	12843-27A70-000	.NUT, TAPPET ADJUSTING	2	
14	12861-34J00-000	SHAFT, VALVE ROCKER ARM IN	1	
15	12871-34J00-000	SHAFT, VALVE ROCKER ARM EXH	1	
16	01550-0516A-000	BOLT	2	ROCKER ARM SHAFT
17	09164-09005-000	WASHER	2	
18	12911-34J00-000	VALVE, INTAKE	1	
19	12912-34J00-000	VALVE, EXHAUST	1	
20	12921-34J00-000	SPRING, VALVE	2	
21	12931-09G20-000	RETAINER, VALVE SPRING	2	BILL FORGE
22	12932-09G10-000	COTTER, VALVE	4	
23	12933-09G00-000	SEAT, VALVE SPRING	2	
24	09289-05019-000	OIL SEAL (4X10X8)	2	

127A

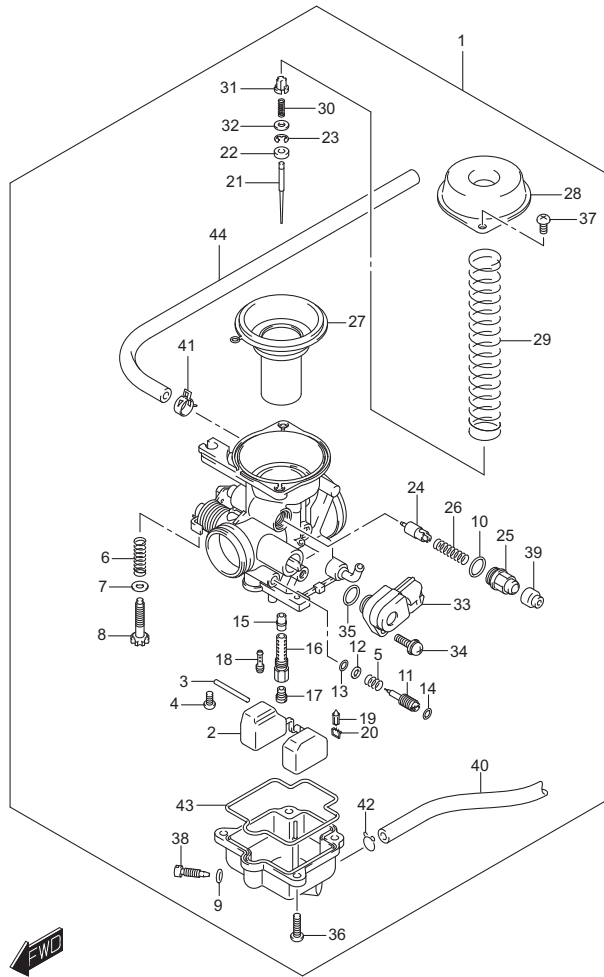


127A (B-12) CAM CHAIN

REF NO.	PART NO.	DESCRIPTION	QTY	REMARKS
1	12760-12F50-000	CHAIN, CAM SHAFT DRIVE (92RH2005-100M)	1	
2	12771-34J00-000	GUIDE, CAM CHAIN	1	
3	12811-34J00-000	TENSIONER, CAM CHAIN	1	
4	09103-06508-000	BOLT (6X32)	1	
5	09168-06004-000	GASKET (6.2X11X1.2)	1	
6	12830-39J00-000	ADJUSTER ASSY, TENSIONER	1	
7	12837-33G10-000	GASKET, TENSIONER ADJUSTER	1	
8	01547-0620A-000	BOLT	2	

130A

2



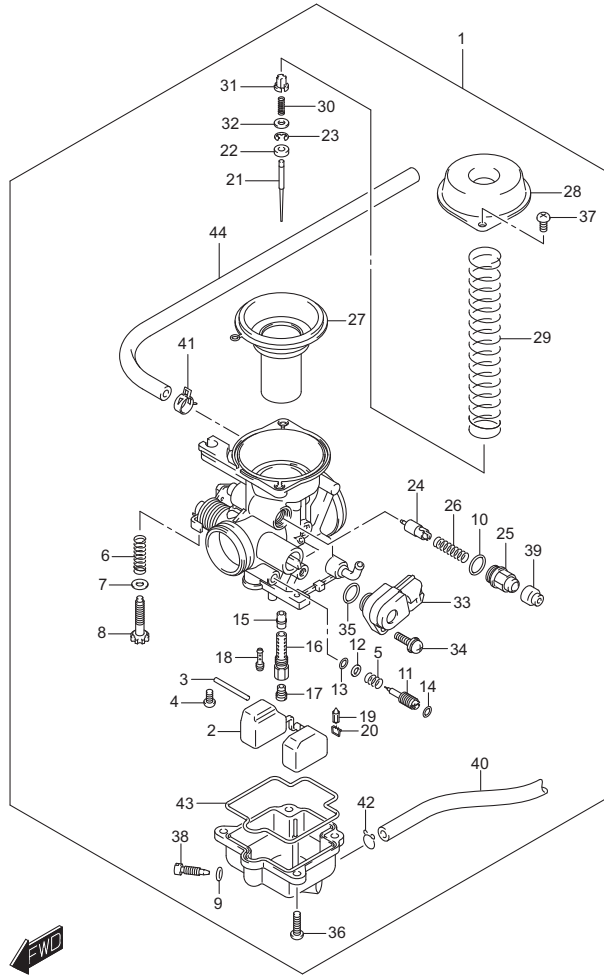
130A (B-13) CARBURETOR

REF NO.	PART NO.	DESCRIPTION	QTY	REMARKS
1	13200-34J10-000	CARBURETOR ASSY	1	
2	13240-34J00-000	.FLOAT ASSY	1	
3	13254-34J00-000	.PIN, FLOAT	1	
4	13257-34J00-000	.SCREW	1	
5	13268-47070-000	.SPRING	1	
6	13271-34J00-000	.SPRING	1	
7	13273-34J00-000	.WASHER	1	
8	13274-34J00-000	.ADJUSTER	1	
9	13278-02340-000	.O RING	1	
10	13278-47090-000	.O RING	1	
11	13283-34J00-000	.ADJUSTER	1	
12	13291-29900-000	.WASHER	1	
13	13295-29900-000	.O RING	1	
14	13295-34J00-000	.O RING	1	
15	13341-34J00-000	.JET, NEEDLE (0-3)	1	
16	13342-34J00-000	.HOLDER, JET	1	
17	13345-34J00-000	.JET, MAIN (135)	1	
18	13353-34J00-000	.JET, PILOT (12.5)	1	
19	13370-34J00-000	.NEEDLE ASSY	1	
20	13375-34J00-000	.CLIP	1	
21	13383-34J00-000	.NEEDLE, JET (A9)	1	
22	13387-47010-000	.RING	1	
23	13394-40D20-000	.E RING	1	
24	13411-34J00-000	.PLUNGER	1	
25	13418-34J00-000	.GUIDE HOLDER	1	
26	13471-34J00-000	.SPRING	1	
27	13500-34810-000	.PISTON VALVE SET	1	
28	13502-34J00-000	.DIAPHRAGM COVER	1	
29	13503-34J00-000	.SPRING	1	
30	13504-34J00-000	.SPRING	1	
31	13505-34J00-000	.HOLDER	1	
32	13506-34J00-000	.WASHER	1	
33	13580-34J00-000	.TPS	1	
34	13584-34J00-000	.SCREW	1	

GSX150DWBL8_P74_130A
CARBURETOR

130A

130A (B-14) CARBURETOR

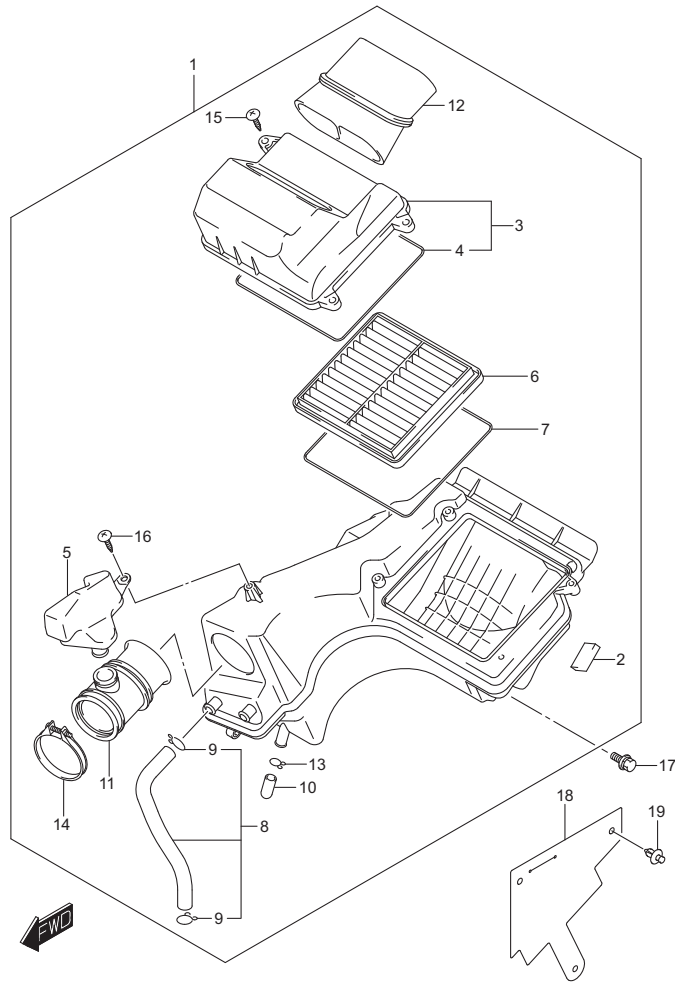


REF NO.	PART NO.	DESCRIPTION	QTY	REMARKS
35	13585-34J00-000	.O RING	1	
36	13601-34J00-000	.SCREW	4	
37	13602-34J00-000	.SCREW	2	
38	13623-34J00-000	.DRAIN	1	
39	13681-04010-000	.CAP	1	
40	13684-34J00-000	.HOSE (4X7X320)	1	
41	13692-34J00-000	.CLIP	1	
42	13692-34J10-000	.CLIP	1	
43	13696-34J00-000	.O RING	1	
44	13697-34J00-000	.HOSE (6X10X370)	1	

2

155A

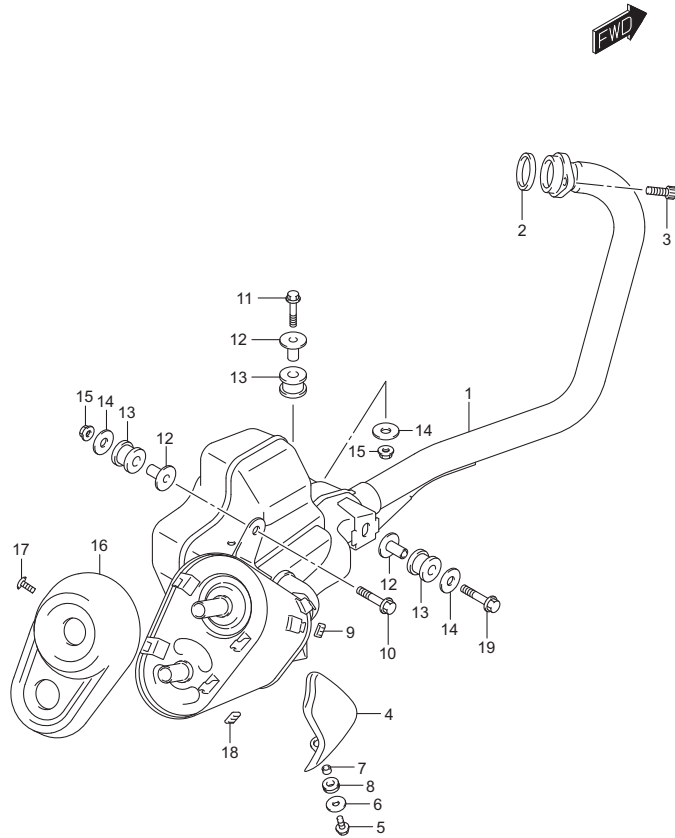
2



155A (B-15) AIR CLEANER

REF NO.	PART NO.	DESCRIPTION	QTY	REMARKS
1	13700-34J00-000	CLEANER ASSY, AIR	1	
2	13725-34J00-000	.CUSHION	2	
3	13740-34J00-000	.CAP, AIR CLEANER	1	
4	13746-34J00-000	.GASKET	1	
5	13761-34J00-000	.RESONATOR	1	
6	13780-34J00-000	.FILTER ASSY	1	
7	13746-34J00-000	.GASKET	1	
8	13850-34J00-000	.TUBE, BREATHER	1	
9	09401-12305-000	.CLIP	2	
10	13878-10G00-000	.PLUG	1	
11	13881-34J00-000	.TUBE, OUTLET	1	
12	13891-34J00-000	.TUBE, INLET	1	
13	09401-14301-000	.CLIP	1	
14	09402-50208-000	.CLAMP	1	
15	03541-0520A-000	.SCREW	4	
16	03541-0512A-000	.SCREW	1	
17	01580-0616A-000	BOLT	2	
18	13841-34J00-000	SHEET, AIR CLEANER INLET	2	
19	09409-07350-000	CLIP	4	

163A

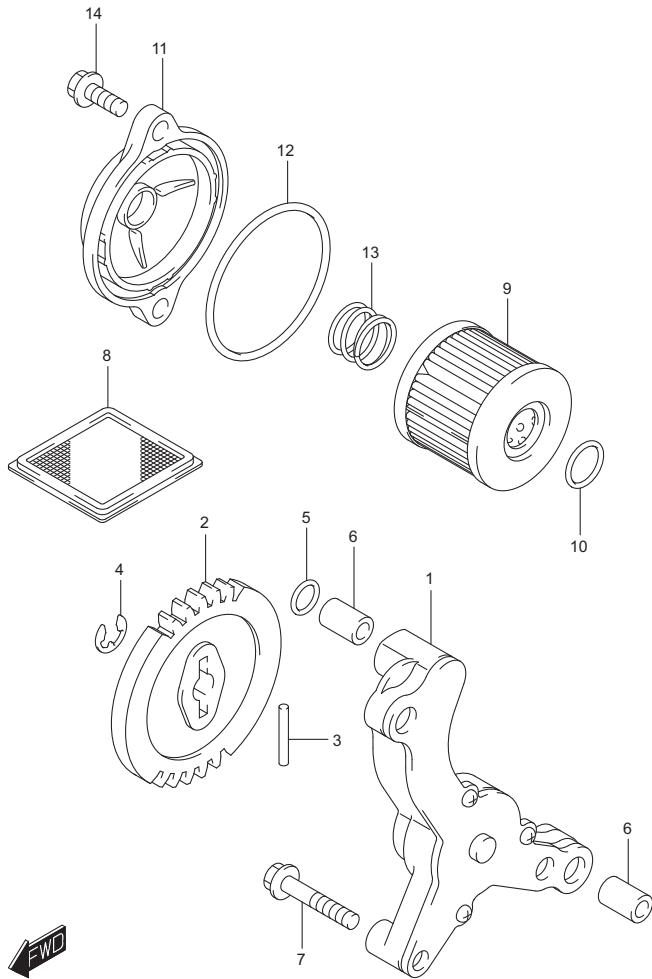


163A (C-2) MUFFLER

REF NO.	PART NO.	DESCRIPTION	QTY	REMARKS
1	14310-34J30-000	BODY, MUFFLER	1	
2	14181-14D10-000	GASKET, EXHAUST PIPE	1	
3	07130-0825A-000	BOLT	2	
4	14780-34J00-000	COVER, MUFFLER	1	
5	01550-0616A-000	BOLT	1	
6	09160-06503-000	WASHER (6.5X22X1.6)	1	
7	09180-06306-000	SPACER (6.5X9X5)	1	
8	09320-08504-000	CUSHION	1	
9	14795-10FA0-000	GROMMET	2	
10	01550-0840B-000	BOLT	1	
11	01550-0840A-000	BOLT	1	LH
12	09180-10164-000	SPACER	3	
13	09320-14027-000	CUSHION	3	
14	09160-08149-000	WASHER (8.5X30X1.6)	3	
15	08319-3108A-000	NUT	2	
16	14790-34J01-000	COVER, MUFFLER RR	1	
17	09139-06198-000	SCREW	2	
18	14795-10FA0-000	GROMMET	2	
19	09103-08549-000	BOLT	1	RH

170A

2

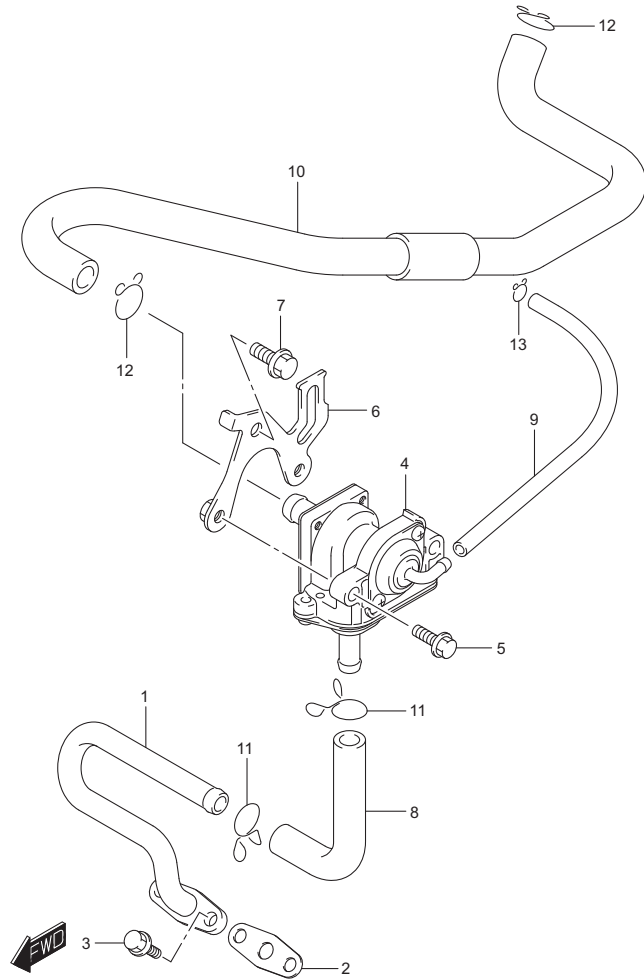


170A (C-3) OIL PUMP

REF NO.	PART NO.	DESCRIPTION	QTY	REMARKS
1	16400-34J00-000	PUMP ASSY, ENGINE OIL	1	
2	16331-34J00-000	GEAR, DRIVEN (NT:30)	1	
3	09261-02001-000	PIN (2.5X19.8)	1	
4	08332-11069-000	E RING	1	
5	09280-09013-000	O RING	1	OIL PUMP GALLERY
6	04211-09149-000	PIN	3	
7	01547-0630A-000	BOLT	3	
8	16520-09440-000	STRAINER, ENGINE OIL	1	
9-1	16510-33G00-000	FILTER, ENGINE OIL	1	PUROLATOR INDIA
9-2	16510-33G10-000	FILTER, ENGINE OIL	1	ELOFIC
10	09280-13010-000	O RING (D:1.9,ID:12.5)	1	
11	16512-34J00-000	CAP, OIL FILTER	1	
12	09280-54001-000	O RING (D:2.4,ID:52.6)	1	
13	16519-09J10-000	SPRING, OIL FILTER	1	
14	01547-0620B-000	BOLT	2	

189A

189A (C-4) 2ND AIR

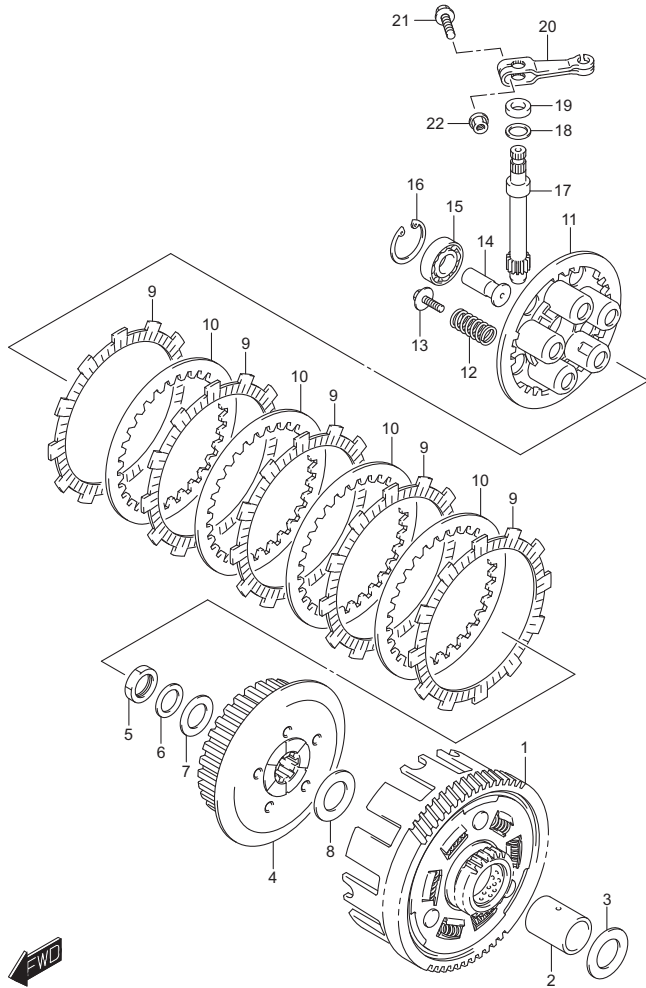


REF NO.	PART NO.	DESCRIPTION	QTY	REMARKS
1	18410-34J00-000	PIPE, 2ND AIR	1	
2	18441-45C01-000	GASKET	1	
3	01547-0616A-000	BOLT	2	
4	18450-34G70-000	VALVE ASSY, 2ND AIR	1	
5	01550-0620A-000	BOLT	2	
6	18610-34J00-000	BRACKET	1	
7	01550-0612A-000	BOLT	1	
8	18461-34J10-000	HOSE, 2ND AIR VALVE	1	
9	09352-40704-270	HOSE	1	
10	18711-34J00-000	HOSE, 2ND AIR CLEANER	1	
11	09401-13409-000	CLIP	2	
12	09401-15101-000	CLIP	2	
13	09401-06102-000	CLIP	1	

2

201A

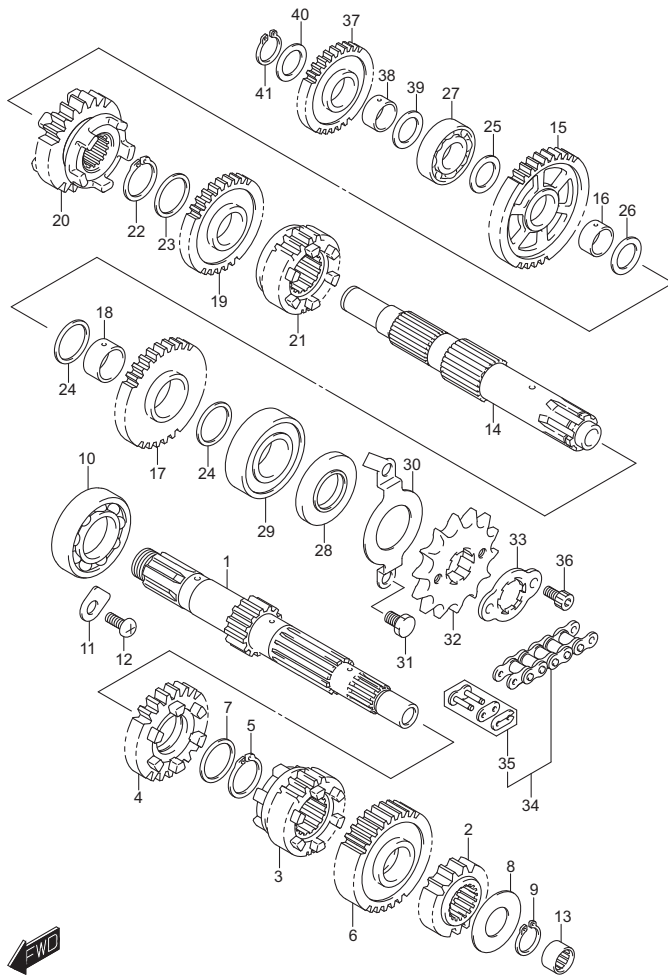
2



201A (C-5) CLUTCH

REF NO.	PART NO.	DESCRIPTION	QTY	REMARKS
1	21200-34J01-000	GEAR ASSY, PRIMARY DRIVEN (NT:19/70)	1	
2	21251-30H00-000	SPACER, PRIMARY DRIVEN GEAR	1	
3	08211-20353-000	WASHER	1	
4	21411-34J00-000	HUB, CLUTCH SLEEVE	1	
5	21414-30H00-000	NUT, CLUTCH SLEEVE HUB	1	
6	21143-34J00-000	WASHER, CLUTCH SLEEVE HUB WAVE	1	
7	08211-16281-000	WASHER	1	
8	08211-20353-000	WASHER	1	
9	21441-30H40-000	PLATE, CLUTCH DRIVE NO.1 (T:3.0)	5	
10	21451-28030-000	PLATE, CLUTCH DRIVEN (T:1.6)	4	
11	21462-34J00-000	DISC, CLUTCH PRESSURE	1	
12	09440-15040-000	SPRING	5	
13	21412-30H00-000	BOLT, CLUTCH SPRING	5	
14	23165-28G60-000	RACK, CLUTCH RELEASE	1	
15	08110-62000-000	BEARING	1	
16	08331-41309-000	CIRCLIP	1	
17-1	23261-13A10-000	PINION, CLUTCH RELEASE (NT:12)	1	
17-2	23261-13A30-000	PINION, CLUTCH RELEASE (NT:12)	1	
18	09160-12119-000	WASHER (12.5X17X1)	1	
19	09285-10007-000	OIL SEAL (10X17X5)	1	
20	23271-30H00-000	ARM, CLUTCH RELEASE	1	
21	01550-0625A-000	BOLT	1	
22	08316-1006A-000	NUT	1	

206A



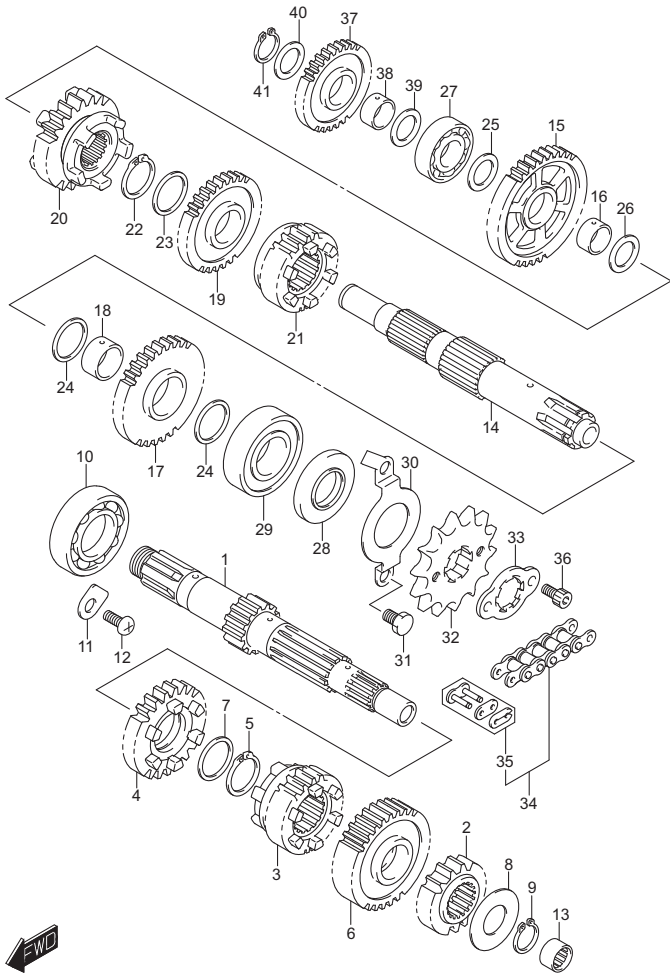
GSX150DWBL8_P74_206A
TRANSMISSION

206A (C-6) TRANSMISSION

REF NO.	PART NO.	DESCRIPTION	QTY	REMARKS
1	24120-34J01-000	SHAFT, COUNTER (NT:12)	1	
2	24221-34J00-000	GEAR, 2ND DRIVE (NT:16)	1	
3	24231-34J00-000	GEAR, 3RD DRIVE (NT:20)	1	
4-1	24241-34J10-000	GEAR, 4TH DRIVE (NT:22)	1	
4-2	24241-34J00-000	GEAR, 4TH DRIVE (NT:22)	1	
5	09380-20018-000	CIRCLIP	1	4TH DRIVE
6-1	24251-34J10-000	GEAR, 5TH DRIVE (NT:24)	1	
6-2	24251-34J00-000	GEAR, 5TH DRIVE (NT:24)	1	
7	08211-20261-000	WASHER	1	4TH DRIVE
8	08211-14321-000	WASHER	1	2ND DRIVE
9	08331-31149-000	CIRCLIP	1	2ND DRIVE
10	08110-62040-000	BEARING	1	RH
11	24741-20A10-000	RETAINER, COUNTER BEARING	2	
12	02112-0612A-000	SCREW	2	
13-1	24132-34J10-000	BEARING, COUNTERSHAFT LH	1	NTN
13-2	24132-34J20-000	BEARING, COUNTERSHAFT LH	1	INA
14	24130-34J00-000	SHAFT, DRIVE (NT:19)	1	
15	24311-34J00-000	GEAR, 1ST DRIVEN (NT:33)	1	
16	24312-34J00-000	BUSH, 1ST DRIVEN GEAR	1	
17	24321-34J00-000	GEAR, 2ND DRIVEN (NT:28)	1	
18	24322-34J00-000	BUSH, 2ND DRIVEN GEAR	1	
19-1	24331-34J10-000	GEAR, 3RD DRIVEN (NT:26)	1	
19-2	24331-34J00-000	GEAR, 3RD DRIVEN (NT:26)	1	
20	24341-34J00-000	GEAR, 4TH DRIVEN (NT:23)	1	
21	24351-34J00-000	GEAR, 5TH DRIVEN (NT:21)	1	
22	09380-20018-000	CIRCLIP	1	
23	08211-20261-000	WASHER	1	3RD DRIVEN
24	08211-20261-000	WASHER	2	2ND DRIVEN
25	08211-15242-000	WASHER	1	1ST DRIVEN RH
26	08211-17241-000	WASHER	1	1ST DRIVEN LH
27	08110-62020-000	BEARING	1	RH
28	09283-20066-000	OIL SEAL	1	
29	08120-62040-000	BEARING	1	LH

206A

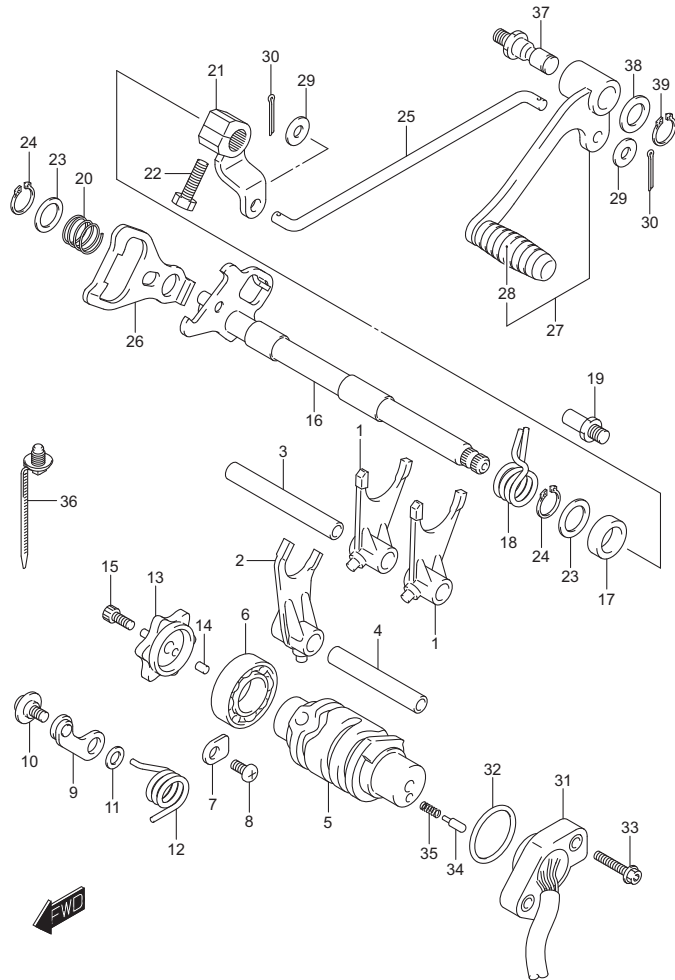
2



206A (C-7) TRANSMISSION

REF NO.	PART NO.	DESCRIPTION	QTY	REMARKS
30	24751-34J00-000	RETAINER, DRIVE SHAFT	1	
31	01500-0610A-000	BOLT	2	
32	27511-30H20-000	SPROCKET, ENGINE (NT:15)	1	
33	27512-05310-000	WASHER, SPROCKET	1	
34	27600-30H40-132	CHAIN ASSY (R428NOR)	1	LGB
35	27620-30H40-000	.JOINT SET, CHAIN	1	FOR 27600-30H40-132
36	07130-0610A-000	BOLT	2	
37	26261-34J00-000	GEAR, KICK STARTER IDLE (NT:26)	1	
38	24312-26H10-000	BUSH, KICK STARTER IDLE GEAR	1	
39	08211-15242-000	WASHER	1	
40	08211-15242-000	WASHER	1	
41	08331-31159-000	CIRCLIP	1	

212A



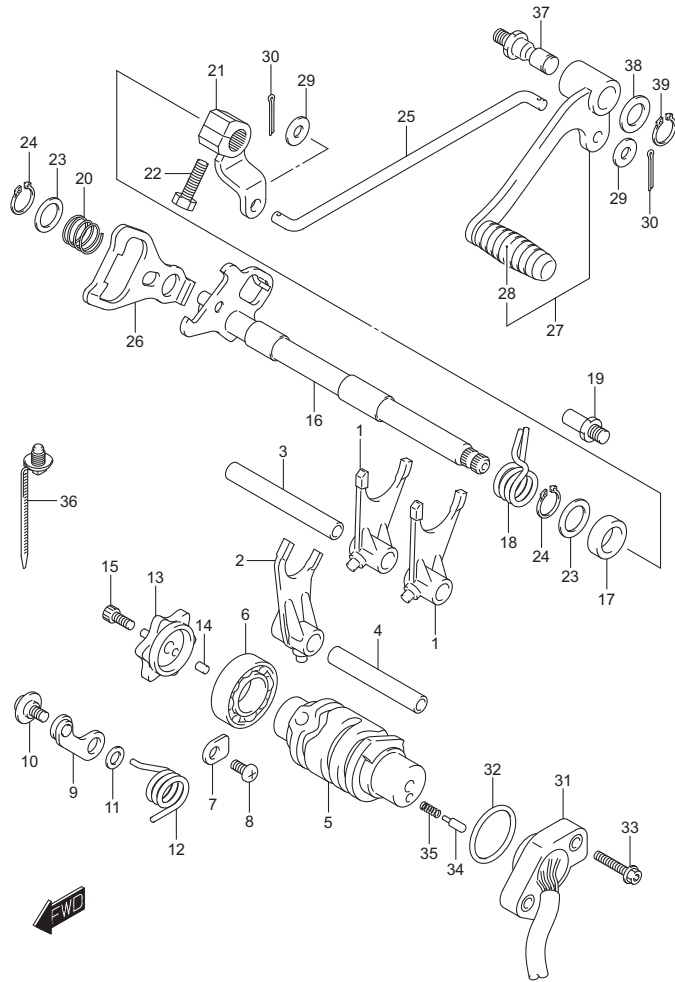
GSX150DWBL8_P74_212A
GEAR SHIFTING

212A (C-8) GEAR SHIFTING

REF NO.	PART NO.	DESCRIPTION	QTY	REMARKS
1	25211-34J10-000	FORK, GEAR SHIFTING NO.1	2	
2	25231-34J10-000	FORK, GEAR SHIFTING NO.3	1	
3	25411-34J00-000	SHAFT, GEAR SHIFT FORK NO.1	1	
4	25421-34J00-000	SHAFT, GEAR SHIFT FORK NO.2	1	
5	25311-34J00-000	CAM, GEAR SHIFT	1	
6	08110-69050-000	BEARING	1	
7	24741-20A10-000	RETAINER, SHIFT CAM, R BEARING	2	
8	02112-0612A-000	SCREW	2	
9	25350-34J20-000	STOPPER, CAM	1	
10	25357-34J00-000	BOLT, GEAR SHIFT CAM STOPPER	1	
11	08211-06121-000	WASHER	1	
12	25355-34J10-000	SPRING	1	
13	25381-34J00-000	PLATE, GEAR SHIFT CAM	1	
14	04221-04089-000	PIN	1	
15	07130-0616A-000	BOLT	1	
16	25510-34J00-000	SHAFT, GEAR SHIFTING	1	
17	09283-14011-000	OIL SEAL (14X22X6)	1	
18	25518-34J00-000	SPRING, SHIFT SHAFT RETURN	1	
19	25671-28G00-000	STOPPER, ARM	1	
20	25515-34J00-000	SPRING, GEAR SHIFT PLATE RETURN	1	
21	25520-34J10-000	ARM, GEAR SHIFT LINK	1	
22	25616-28G00-000	BOLT, SHIFT LEVER	1	
23	09181-14167-000	SHIM (14X22X1)	2	
24	08331-31149-000	CIRCLIP	2	
25	25525-34J00-000	ROD, GEAR SHIFT LINK	1	
26	25512-28G10-000	PLATE, GEAR SHIFT CAM DRIVE	1	
27	25600-34J00-000	LEVER ASSY, GEAR SHIFTING	1	
28	25652-05J00-000	.RUBBER	1	
29-1	25617-30H10-000	WASHER, GEAR SHIFT LINK ROD	2	6.2X14X1.2
29-2	25617-30H00-000	WASHER, GEAR SHIFT LINK ROD	2	6.2X16X1.2
29-3	09160-06079-000	WASHER (6.5X16X1.2)	2	
30	04111-2015A-000	COTTER PIN	2	

212A

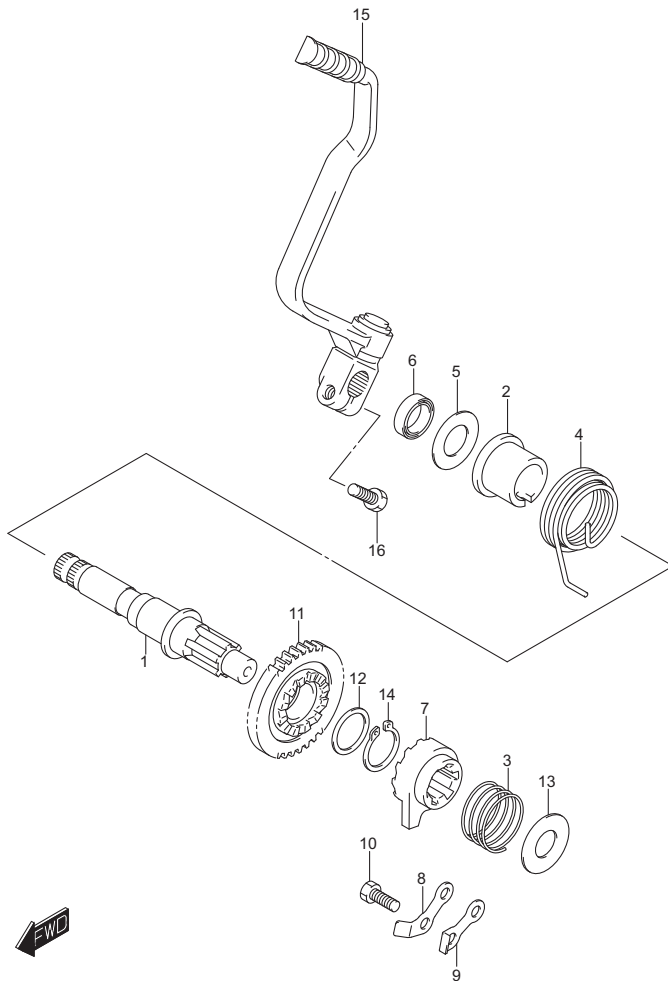
2



212A (C-9) GEAR SHIFTING

REF NO.	PART NO.	DESCRIPTION	QTY	REMARKS
31	37720-34J00-000	BASE ASSY, GEAR TERM	1	
32	09280-26005-000	O RING (D:2.4,ID:26.2)	1	
33	07120-0520A-000	BOLT	2	
34	09209-05011-000	PIN (5X15.5)	1	
35	09440-04010-000	SPRING	1	
36	09407-15L01-000	CLAMP (L:170)	1	
37	25617-03F20-000	SHAFT, GEAR SHIFT LEVER	1	
38	09160-12011-000	WASHER (12.5X20X1)	1	
39	08331-3112A-000	CIRCLIP	1	

240A



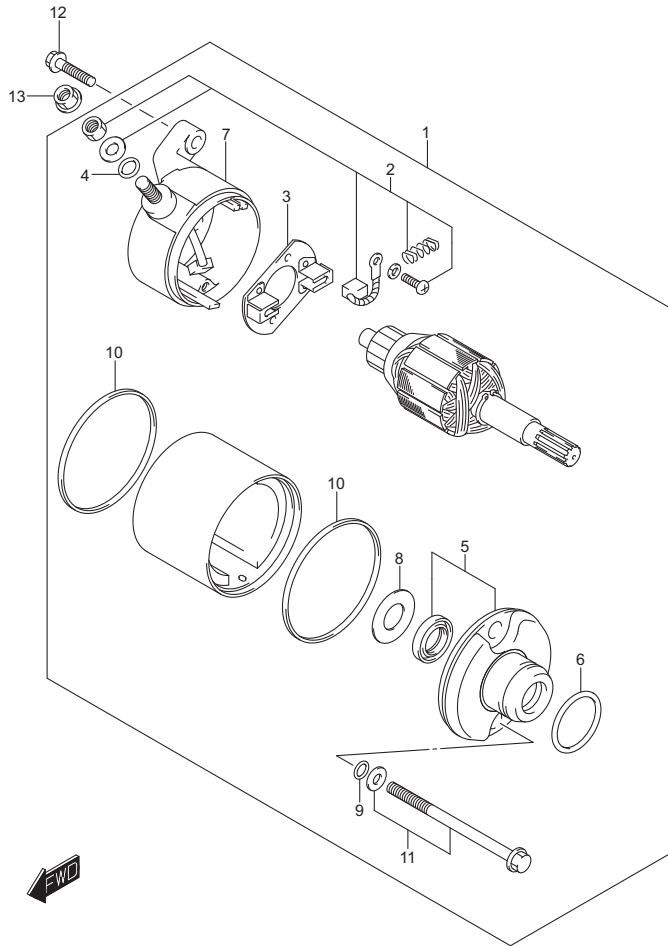
240A (C-10) KICK STARTER

REF NO.	PART NO.	DESCRIPTION	QTY	REMARKS
1	26211-34J00-000	SHAFT, KICK STARTER	1	
2	26221-34J00-000	GUIDE, KICK STARTER SHAFT SPR	1	
3	09440-30007-000	SPRING	1	
4	26212-34J00-000	SPRING, KICK SHAFT RETURN	1	
5	09160-18039-000	WASHER (18X36X1.5)	1	
6	09283-16L02-000	SEAL (15X24X7)	1	
7	26231-34J00-000	STARTER, KICK	1	
8	26232-09401-000	GUIDE, KICK STARTER	1	
9	26233-09400-000	STOPPER, KICK STARTER	1	
10	01500-0616A-000	BOLT	2	
11	26241-34J10-000	GEAR, KICK STARTER DRIVE (NT:30)	1	
12	09181-20139-000	SHIM (20X26X1)	1	
13	08211-14321-000	WASHER	1	
14	08331-3120A-000	CIRCLIP	1	
15	26300-34J00-000	LEVER ASSY, KICK STARTER	1	
16	26314-30H00-000	BOLT, KICK STARTER	1	

2

301A

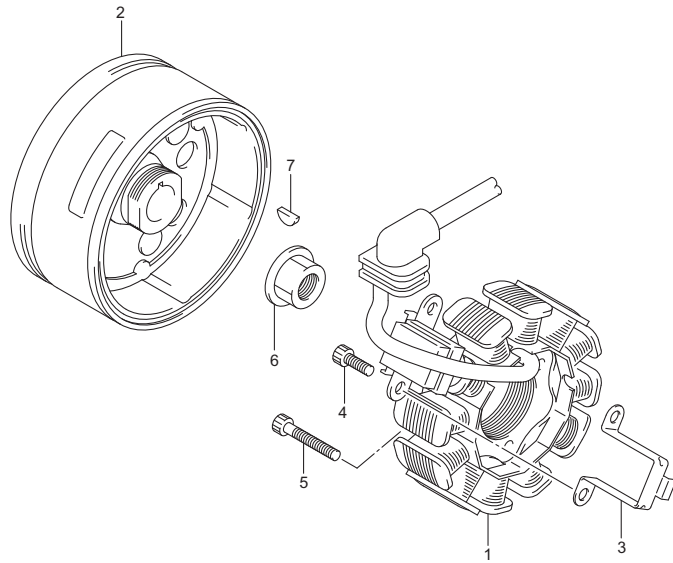
2



301A (C-11) STARTING MOTOR

REF NO.	PART NO.	DESCRIPTION	QTY	REMARKS
1	31100-34J10-000	MOTOR ASSY, STARTING	1	
2	31130-34J00-000	.BRUSH TERMINAL SET	1	
3	31132-34J00-000	.BRUSH HOLDER SET	1	
4	31143-34J00-000	.O RING	1	
5	31150-34J00-000	.FRONT BRACKET	1	
6	31156-34J00-000	.O RING	1	
7	31170-34J00-000	.REAR BRACKET	1	
8	31172-34J00-000	.THRUST WASHER	1	
9	31183-34J00-000	.O RING	2	
10	31264-34J00-000	.SEAL	2	
11	31280-34J00-000	.BOLT SET	1	
12	01547-0625B-000	BOLT	2	
13	08361-3506A-000	NUT	1	

303A



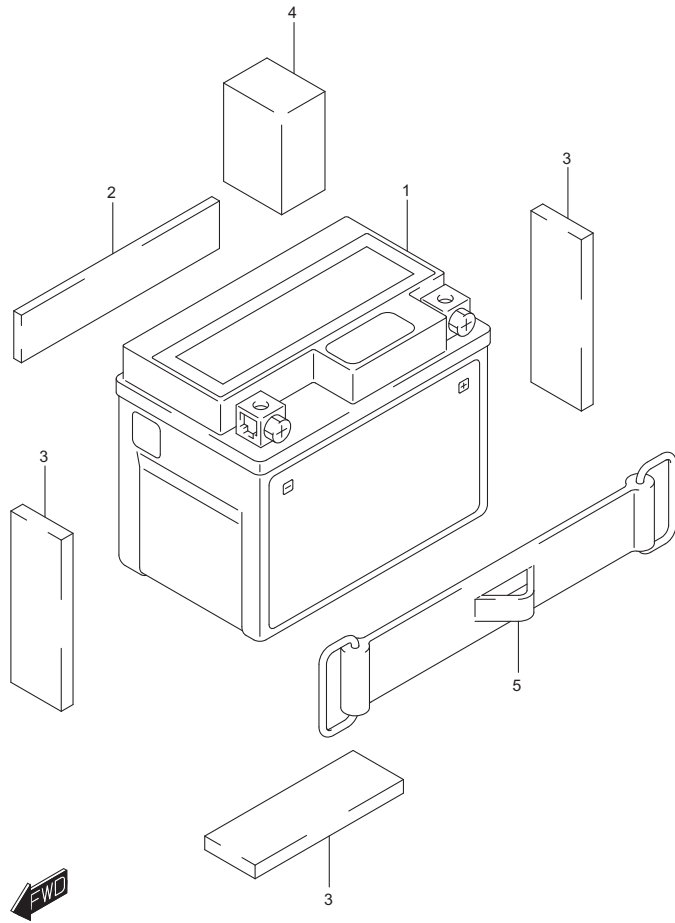
303A (C-12) MAGNETO

REF NO.	PART NO.	DESCRIPTION	QTY	REMARKS
1	32101-34J00-000	STATOR ASSY, MAGNETO	1	
2	32102-34J00-000	ROTOR ASSY, MAGNETO	1	
3	32371-16H00-000	CLAMP, STATOR LEAD	1	
4	07130-0512B-000	BOLT	2	SENSOR
5	07130-0530B-000	BOLT	3	STATOR
6	08316-1014B-000	NUT	1	
7	08341-31039-000	KEY	1	



310A

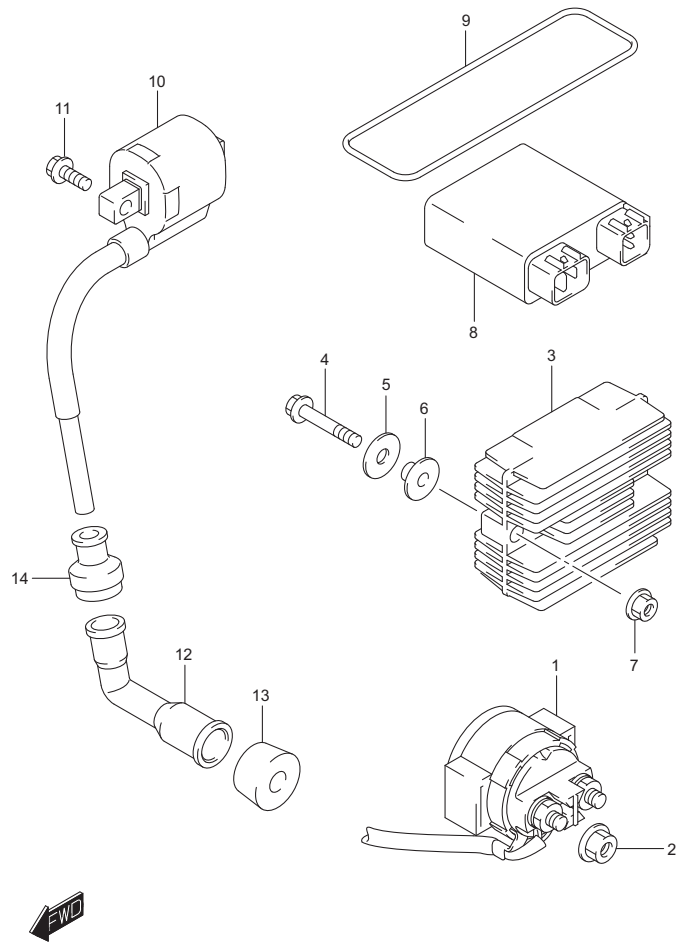
3



310A (C-13) BATTERY

REF NO.	PART NO.	DESCRIPTION	QTY	REMARKS
1-1	33610-39J00-000	BATTERY (ETZ-4,12V3AH)	1	EXIDE (NON-SERVICEABLE)
1-2	33610-39J10-000	BATTERY (ATZ4L,12V3AH)	1	AMCO (NON-SERVICEABLE)
2	33652-29100-000	PROTECTOR (170X95X3.0)	1	
3	33652-34J00-000	PROTECTOR, BATTERY	3	
4	33652-34J10-000	PROTECTOR, BATTERY	1	
5	33651-34J00-000	BAND, BATTERY	1	

312A

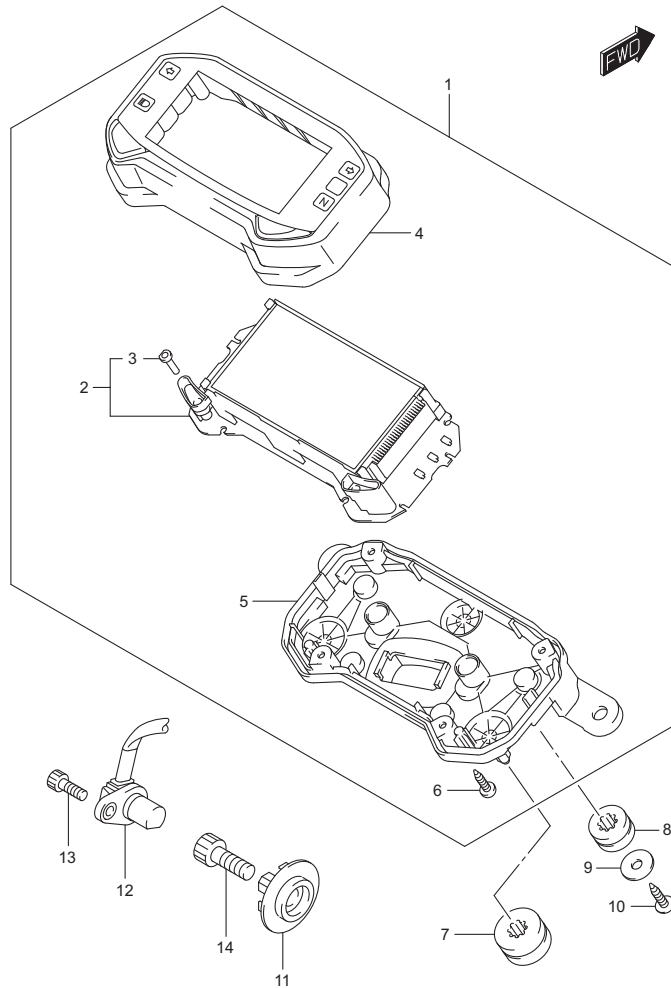


312A (C-14) ELECTRICAL

REF NO.	PART NO.	DESCRIPTION	QTY	REMARKS
1	31800-34J00-000	RELAY, STARTING MOTOR	1	
2	08361-3506A-000	NUT	2	
3	32800-34J00-000	RECTIFIER ASSY	1	
4	01547-0630B-000	BOLT	2	
5	09160-06060-000	WASHER	2	
6	09180-06325-000	SPACER (6.2X8.4X6.9)	2	
7	08316-1006A-000	NUT	2	
8	32900-34J00-000	CDI UNIT	1	
9	09280-63003-000	O RING (D:3.5,ID:62.6)	1	
10	33410-34J00-000	COIL ASSY, IGNITION	1	
11	01547-0616A-000	BOLT	2	
12	33510-34J00-000	CAP, SPARK PLUG	1	
13	33541-30H00-000	SEAL, SPARK PLUG	1	
14	33542-30H00-000	SEAL, HIGH TENSION CORD	1	

330A

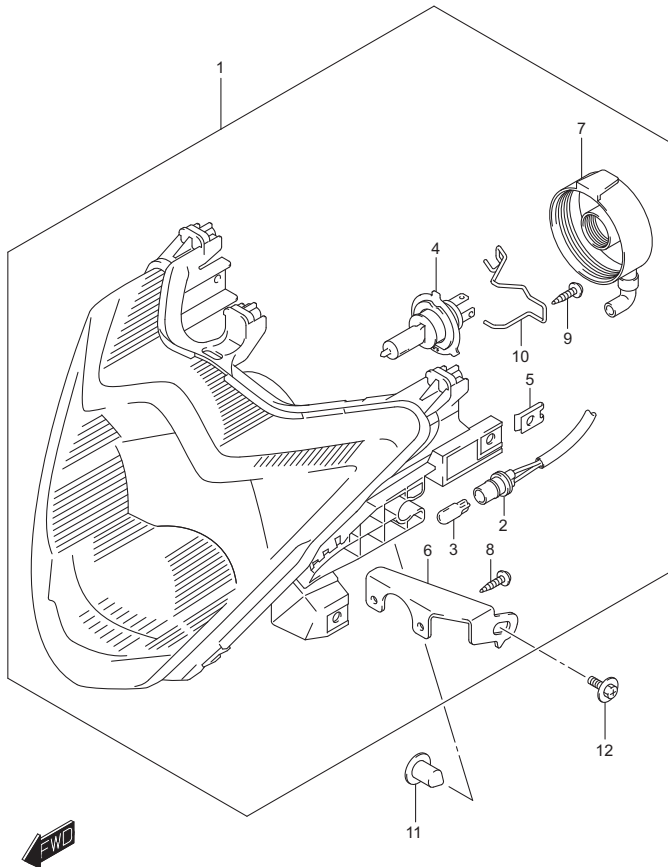
3



330A (C-15) SPEEDOMETER

REF NO.	PART NO.	DESCRIPTION	QTY	REMARKS
1	34100-34J31-000	SPEEDOMETER ASSY	1	
2	34120-34J30-000	.SPEEDOMETER	1	
3	34124-34J00-000	.KNOB	2	
4	34150-34J01-000	.CASE, UPPER	1	
5	34111-34J00-000	.CASE, LOWER	1	
6	34383-10B00-000	.SCREW (3X16)	6	
7	34189-30H30-000	CUSHION, SPEEDOMETER	2	
8	34189-34J00-000	CUSHION, SPEEDOMETER	1	
9	09160-04026-000	WASHER (4.5X16X1.2)	1	
10	03541-0416A-000	SCREW	1	
11-1	34981-25G00-000	ROTOR, SPEED	1	CHIN CHIH METAL
11-2	34981-34J00-000	ROTOR, SPEED	1	
12	34990-34J10-000	SENSOR, SPEED	1	
13	07130-0512B-000	BOLT	1	
14	07130-0816B-000	BOLT	1	

333A



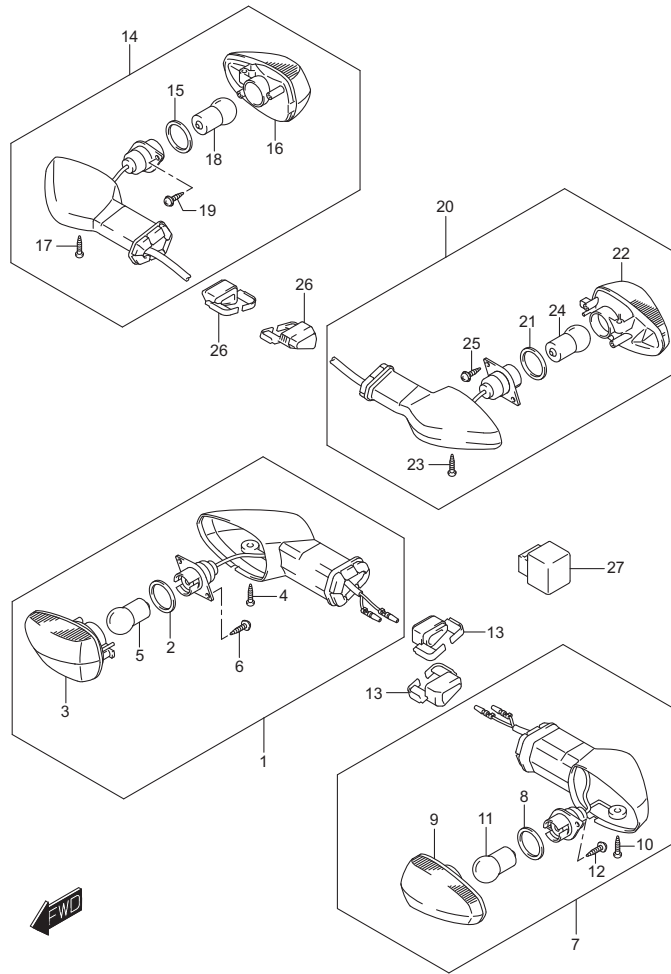
333A (D-2) HEADLAMP

REF NO.	PART NO.	DESCRIPTION	QTY	REMARKS
1	35100-34J40-000	HEADLAMP ASSY	1	
2	36618-12345-000	.CORD ASSY	1	
3	09471-12216-000	.BULB (12V5W)	1	
4	09471-12225-000	.BULB (12V35/35W)	1	
5	35157-34J00-000	.CLIP	4	
6	35159-34J10-000	.BRACKET	1	
7	35174-34J10-000	.COVER, SOCKET	1	
8	35181-0412B-000	.SCREW	2	
9	35183-34J00-000	.SCREW	1	
10	35186-25J00-000	.SPRING	1	
11	51831-30H00-000	CUSHION, COWLING BRACE	2	
12	09136-05070-000	SCREW	1	

3

334A

3

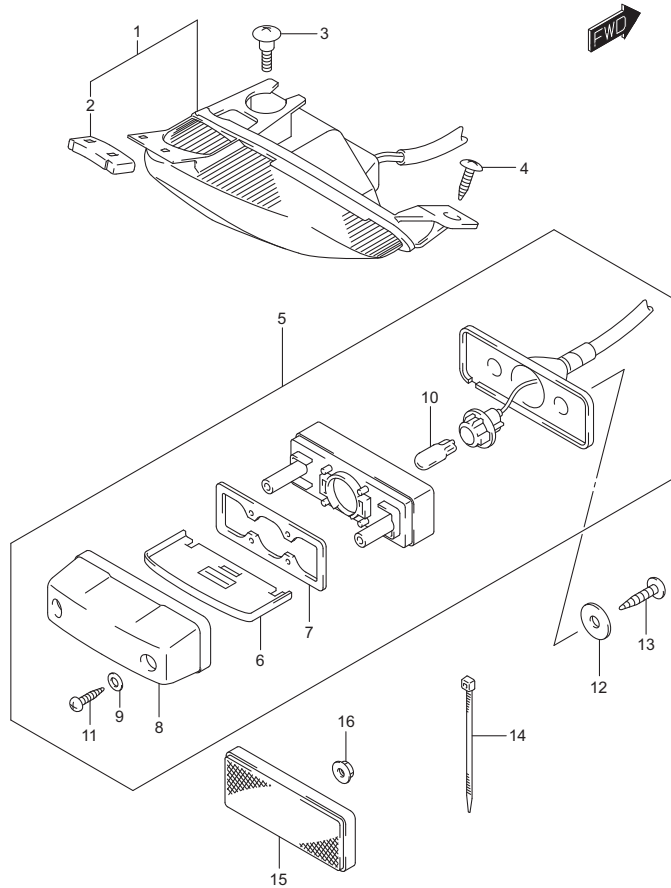


GSX150DWBL8_P74_334A
 TURNSIGNAL LAMP

334A (D-3) TURNSIGNAL LAMP

REF NO.	PART NO.	DESCRIPTION	QTY	REMARKS
1	35601-34J11-000	LAMP ASSY, FRONT TURNSIGNAL RH	1	
2	35613-34J00-000	.GASKET	1	
3	35614-34J10-000	.LAMP UNIT	1	
4	35623-34JB0-000	.SCREW	1	
5	09471-12226-000	.BULB (12V,10W)	1	AMBER
6	35623-34JA0-000	.SCREW	2	
7	35602-34J11-000	LAMP ASSY, FRONT TURNSIGNAL LH	1	
8	35613-34J00-000	.GASKET	1	
9	35634-34J10-000	.LAMP UNIT	1	
10	35623-34JB0-000	.SCREW	1	
11	09471-12226-000	.BULB (12V,10W)	1	AMBER
12	35623-34JA0-000	.SCREW	2	
13	35629-34J00-000	PLATE, TURNSIGNAL	2	
14	35603-34J11-000	LAMP ASSY, REAR TURNSIGNAL RH	1	
15	35613-34J00-000	.GASKET	1	
16	35634-34J10-000	.LAMP UNIT	1	
17	35623-34JB0-000	.SCREW	1	
18	09471-12226-000	.BULB (12V,10W)	1	AMBER
19	35623-34JA0-000	.SCREW	2	
20	35604-34J11-000	LAMP ASSY, REAR TURNSIGNAL LH	1	
21	35613-34J00-000	.GASKET	1	
22	35614-34J10-000	.LAMP UNIT	1	
23	35623-34JB0-000	.SCREW	1	
24	09471-12226-000	.BULB (12V,10W)	1	AMBER
25	35623-34JA0-000	.SCREW	2	
26	35629-34J00-000	PLATE, REAR TURNSIGNAL	2	
27-1	38610-23J10-000	RELAY ASSY, TURNSIGNAL	1	
27-2	38610-25J10-000	RELAY ASSY, TURNSIGNAL	1	

339A



339A (D-4) REAR COMBINATION LAMP

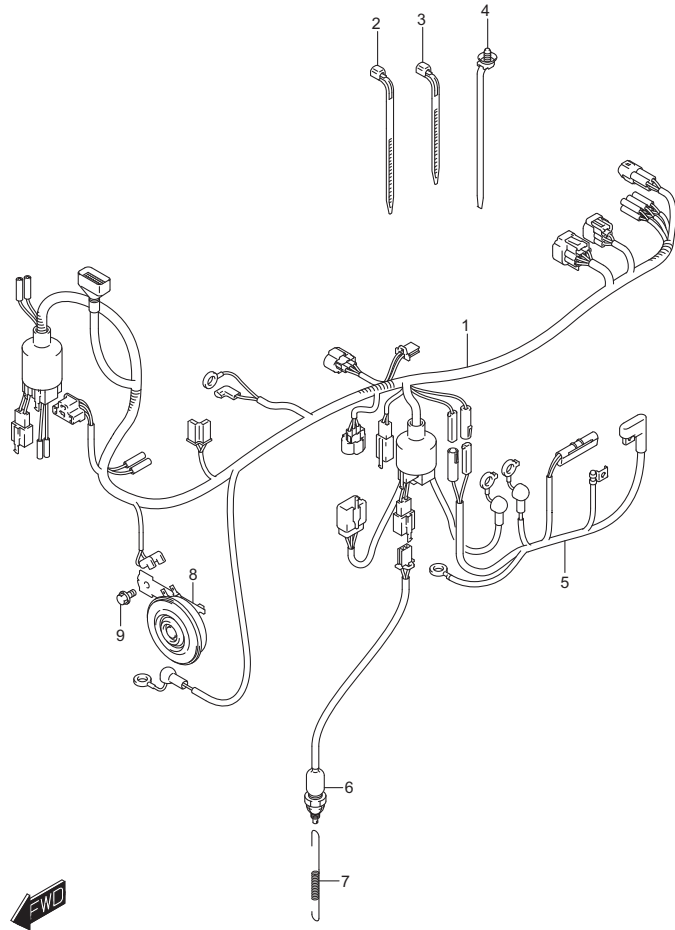
REF NO.	PART NO.	DESCRIPTION	QTY	REMARKS
1	35710-34J10-000	LAMP ASSY, REAR COMBINATION	1	
2	35716-34J00-000	.RUBBER	1	
3	47155-30H00-000	SCREW, FRAME COVER RR	1	
4	03541-0516A-000	SCREW	2	
5	35910-16G71-000	LAMP ASSY, LICENSE	1	
6	35912-30H01-000	.LENS	1	
7	35913-30H00-000	.GASKET	1	
8	35917-30H00-000	.COVER	1	
9	35926-30H00-000	.WASHER	2	
10	09471-12216-000	.BULB (12V5W)	1	
11	03211-04203-000	.SCREW	2	
12	09160-05501-000	WASHER (5.5X20X1.2)	2	
13	03541-0520A-000	SCREW	2	
14	09407-14407-000	CLAMP (L:145)	1	
15	35970-28G00-000	REFLEX REFLECTOR RR	1	
16	08316-1005B-000	NUT	1	

3

350A

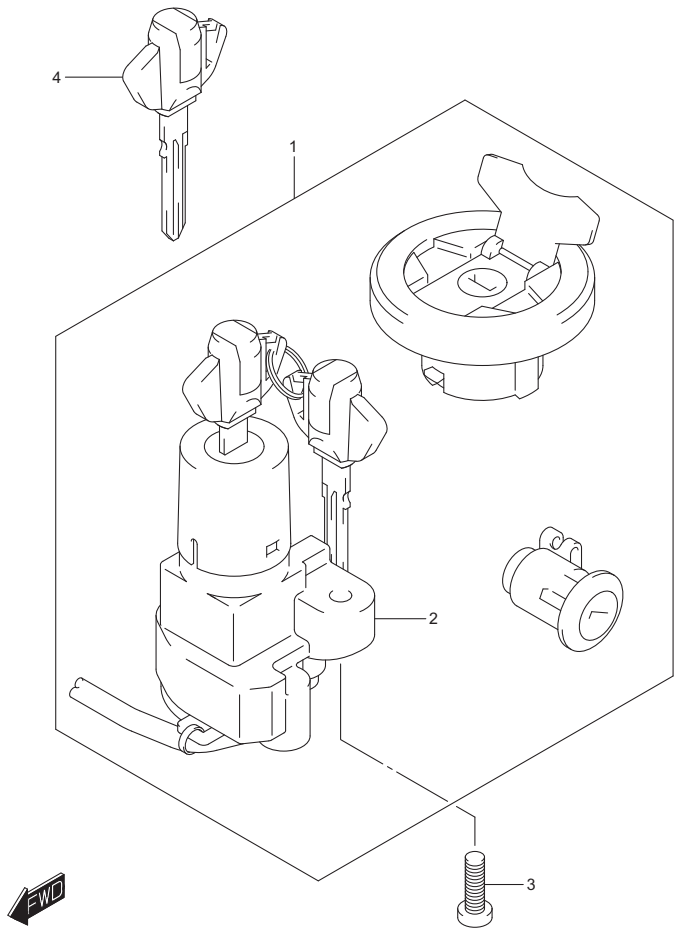
350A (D-5) WIRING HARNESS

3



REF NO.	PART NO.	DESCRIPTION	QTY	REMARKS
1	36610-34JG0-000	HARNESS, WIRING	1	
2	36990-70F20-000	CLAMP	4	
3	09407-14L01-000	CLAMP (L:125)	3	
4	09407-15L01-000	CLAMP (L:170)	1	
5	33820-34J20-000	WIRE, BATTERY PLUS LEAD	1	
6	37740-34J10-000	SWITCH ASSY, STOP LAMP	1	
7	43232-34J00-000	SPRING, STOP LAMP SWITCH	1	
8	38502-28G13-000	HORN ASSY	1	
9	01550-0610A-000	BOLT	1	

352A



352A (D-6) LOCK SET

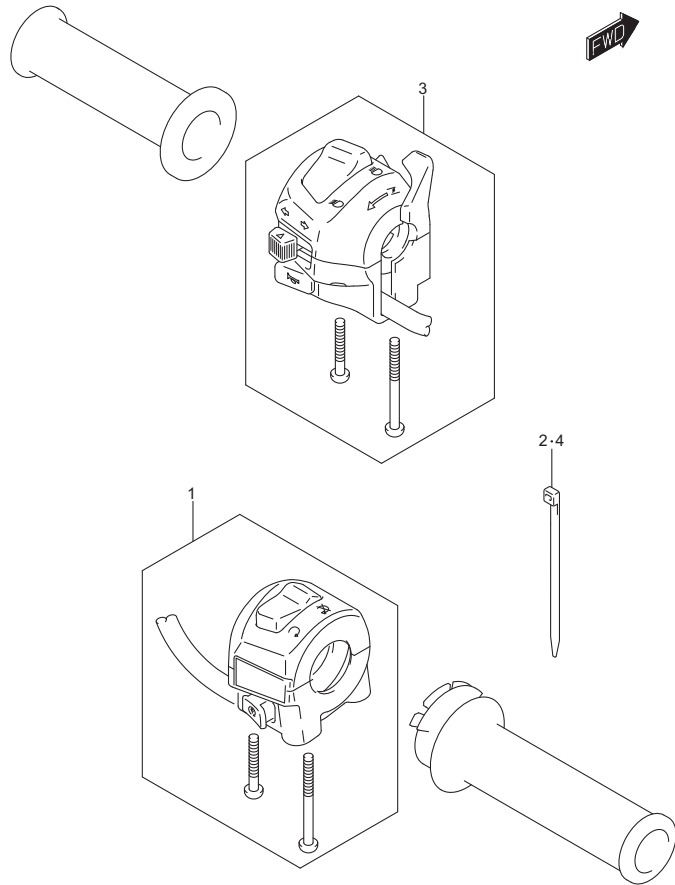
REF NO.	PART NO.	DESCRIPTION	QTY	REMARKS
1	37100-34850-000	LOCK SET	1	
2	37100-34J50-000	.LOCK ASSY, STEERING	1	
3	37152-30H00-000	BOLT, STEERING LOCK	1	
4	37146-34J20-000	KEY, BLANK	1	OPT

355A

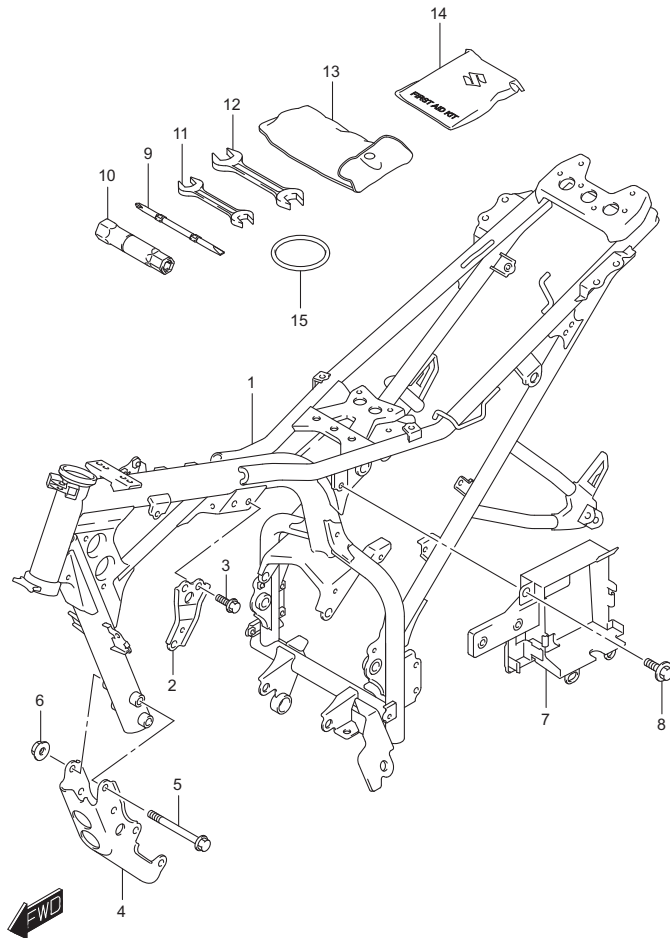
355A (D-7) HANDLE SWITCH

REF NO.	PART NO.	DESCRIPTION	QTY	REMARKS
1	37200-34J10-000	SWITCH ASSY, HANDLE RH	1	
2	09407-14407-000	CLAMP (L:145)	1	
3	37400-34J00-000	SWITCH ASSY, HANDLE LH	1	
4	09407-14407-000	CLAMP (L:145)	1	

3



401A



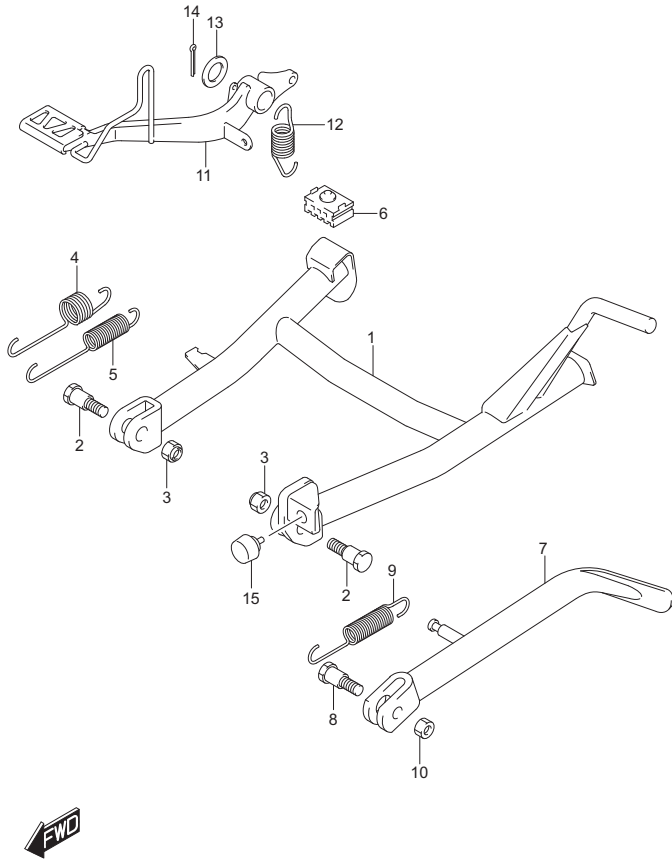
401A (D-8) FRAME

REF NO.	PART NO.	DESCRIPTION	QTY	REMARKS
1	41100-34J90-000	FRAME	1	
2	41991-34J00-000	PLATE, ENG MTG UPPER	1	
3	01550-0816A-000	BOLT	2	
4	41990-34J00-000	BRACKET, ENG MTG LOWER	1	
5	41933-34J00-000	BOLT, ENG MTG LOWER	2	
6	08319-3110B-000	NUT	2	
7	41542-34J00-000	HOLDER, BATTERY NO.1	1	
8	09111-06063-000	BOLT (6X14)	3	
9	96412-33G50-000	DRIVER (+)(-)	1	
10	96414-33G50-000	SPANNER, BOX (16)	1	
11	96513-23J00-000	SPANNER, OPEN (10X12)	1	
12	96513-23J10-000	SPANNER, OPEN (14X17)	1	
13	96511-34J00-000	BAG, TOOL	1	
14	94990-28G10-000	SET, FIRST AID	1	
15	47435-34J00-000	BAND, TOOL	1	

407A

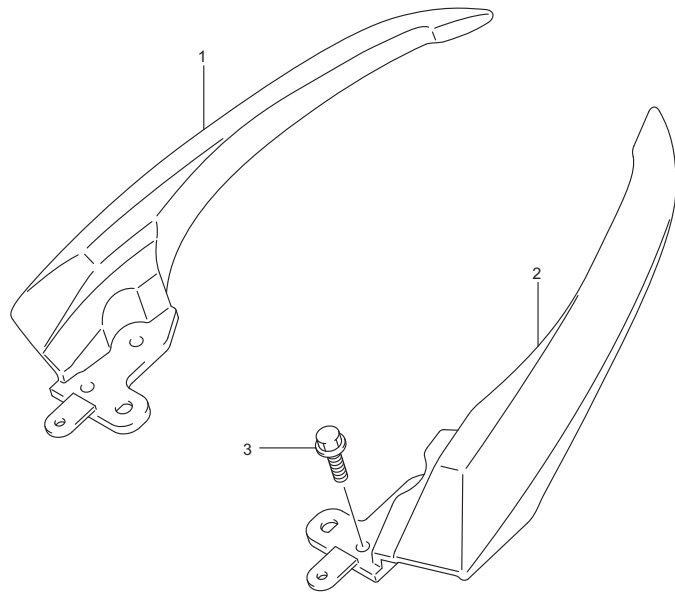
407A (D-9) STAND

4



REF NO.	PART NO.	DESCRIPTION	QTY	REMARKS
1	42100-34J20-000	STAND, CENTER	1	
2	09111-10047-000	BOLT (10X30)	2	
3	08319-2110B-000	NUT	2	
4	42241-34J00-000	SPRING, CENTER STAND NO.1	1	
5	42242-34J00-000	SPRING, CENTER STAND NO.2	1	
6	42278-34J00-000	STOPPER, CENTER STAND	1	
7	42310-34J20-000	STAND, PROP	1	
8	42411-33G10-000	BOLT (10X33)	1	
9	09443-15033-000	SPRING	1	
10	08319-2110B-000	NUT	1	
11	43110-34J00-000	PEDAL, BRAKE	1	
12	43211-23J00-000	SPRING, BRAKE PEDAL	1	
13	09160-15002-000	WASHER (15.5X26X2.3)	1	
14	04111-3025A-000	COTTER PIN	1	
15	42272-09J00-000	CUSHION, CENTER STAND	1	

410A



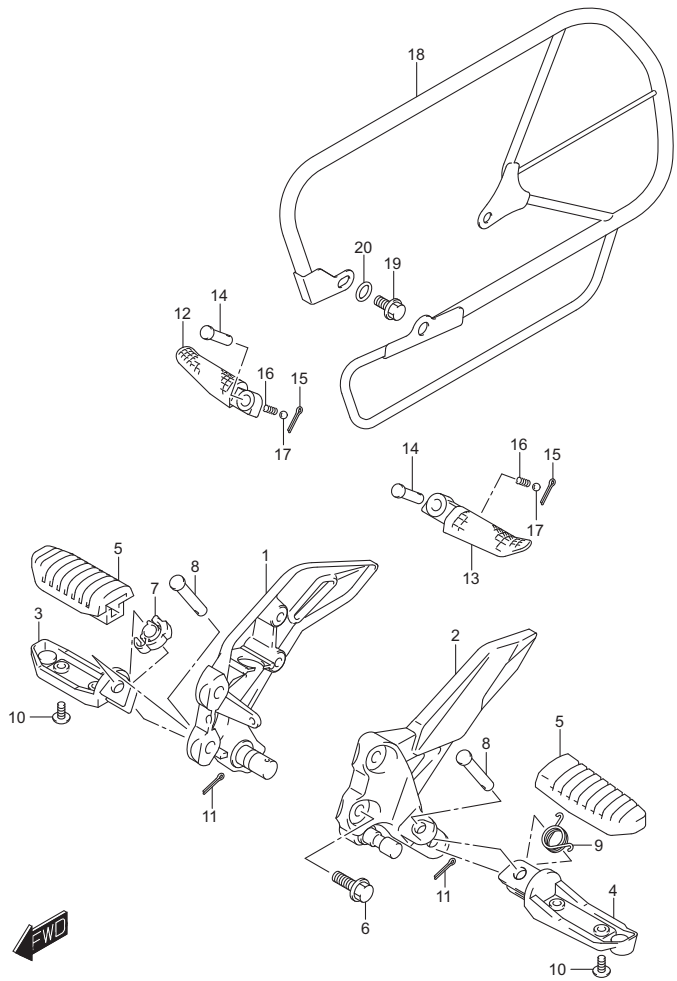
410A (D-10) PILLION RIDER HANDLE

REF NO.	PART NO.	DESCRIPTION	QTY	REMARKS
1	46231-34J00-YD8	HANDLE, PILLION RIDER RH (SILVER)	1	
2	46211-34J00-YD8	HANDLE, PILLION RIDER LH (SILVER)	1	
3	01550-0825A-000	BOLT	4	



415A

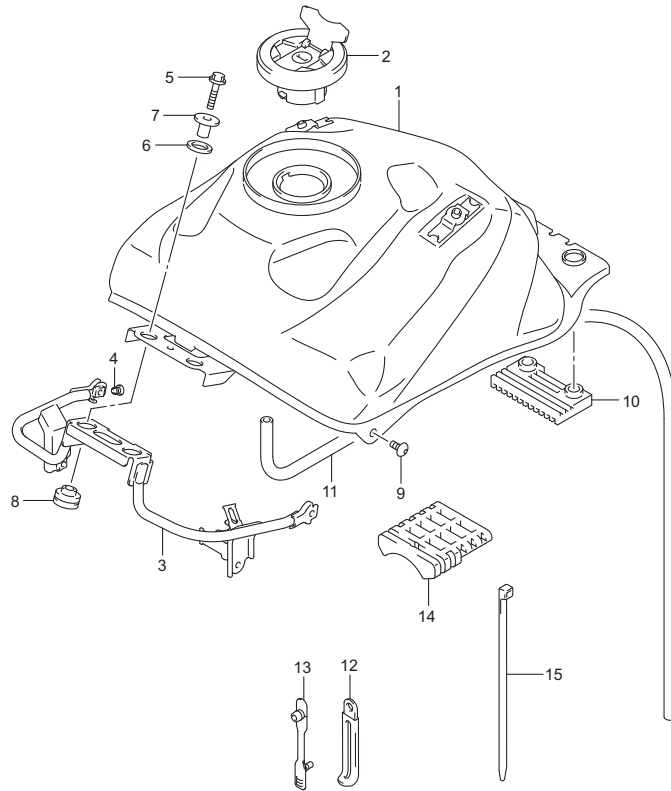
4



415A (D-11) FOOTREST

REF NO.	PART NO.	DESCRIPTION	QTY	REMARKS
1	43510-34J00-000	BRACKET, FOOTREST RH	1	
2	43521-34J10-000	BRACKET, FOOTREST LH	1	
3	43571-34J00-000	BAR, FRONT FOOTREST RH	1	
4	43581-34J00-000	BAR, FRONT FOOTREST LH	1	
5	43550-44G30-000	RUBBER, FOOTREST	2	
6	01550-0825A-000	BOLT	4	
7	43532-34J00-000	STOPPER, FR FOOTREST BAR	1	
8	43529-34J00-000	PIN, FRONT FOOTREST	2	
9	09448-16033-000	SPRING	1	
10	02142-0512A-000	SCREW	4	
11	04111-2515A-000	PIN	2	
12	43611-37H40-000	BAR, PILLION FOOTREST RH	1	
13	43621-37H40-000	BAR, PILLION FOOTREST LH	1	
14	43529-34J10-000	PIN, PILLION FOOTREST	2	
15	09385-08L01-000	PIN	2	
16	09440-05003-000	SPRING	2	
17	06111-07004-000	BALL	2	
18	43680-48H20-000	GUARD, REAR SIDE	1	
19	01550-0816B-000	BOLT	3	
20	09160-08156-000	WASHER (8.5X20X1.6)	3	

420A



420A (D-12) FUEL TANK

REF NO.	PART NO.	DESCRIPTION	QTY	REMARKS
1	44100-34J21-000	TANK ASSY, FUEL	1	
2	44200-34JA0-000	CAP ASSY, FUEL TANK FILLER	1	
3	44520-34JA0-000	BRACE, FUEL TANK FRONT	1	
4	44515-34J10-000	CUSHION, FUEL TANK FR BRACE	2	
5	01550-0630A-000	BOLT	2	
6	44512-34J10-000	CUSHION, FUEL TANK FRONT	2	
7	44514-34J00-000	SPACER, FUEL TANK FRONT	2	
8	44511-34J10-000	CUSHION, FUEL TANK FRONT LOWER	2	
9	09139-06139-000	SCREW (6X16)	2	
10	44542-34J10-000	CUSHION, FUEL TANK REAR LOWER	1	
11	44423-34J01-000	HOSE, FUEL TANK DRAIN	1	
12	09404-06429-000	CLAMP (L:45)	1	
13	09407-05406-000	CLAMP (L:118)	1	
14	44541-34J10-000	CUSHION, FUEL TANK CENTER	1	
15	44549-34J00-000	CLAMP, FUEL TANK CUSHION CENTER	1	

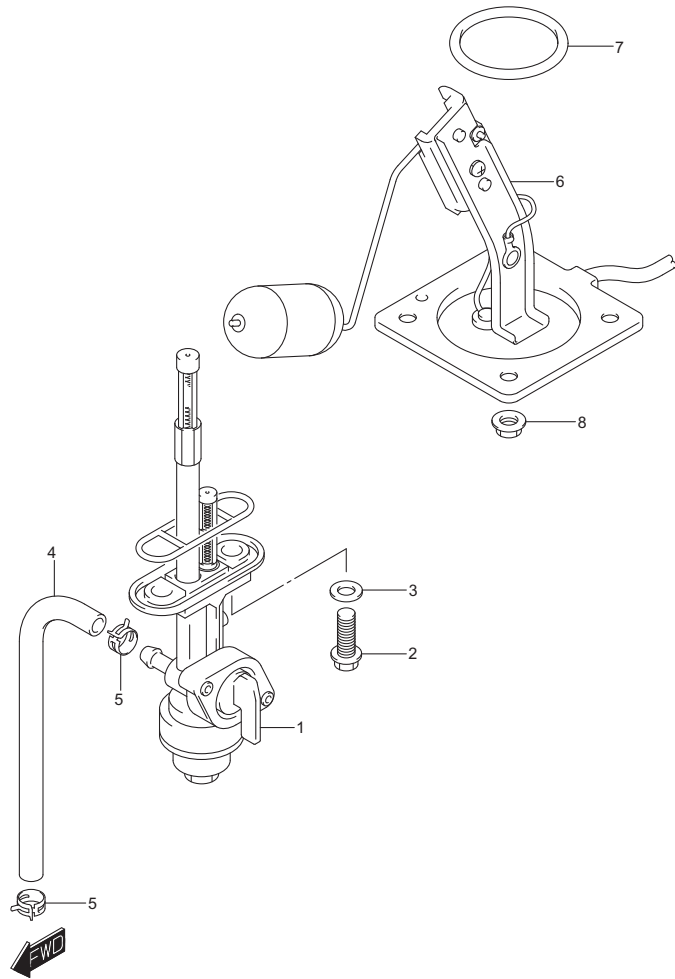


421A

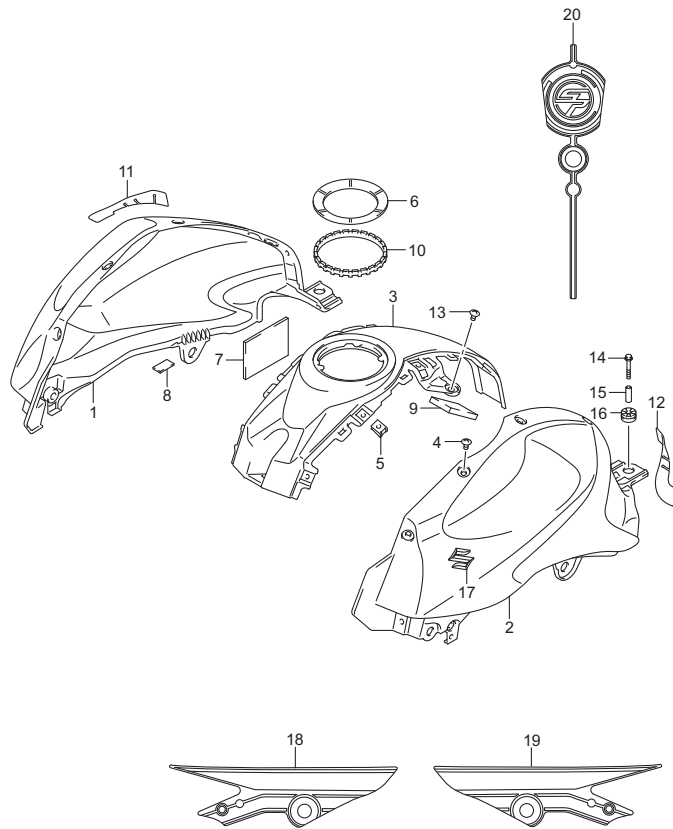
421A (D-13) FUEL COCK

REF NO.	PART NO.	DESCRIPTION	QTY	REMARKS
1	44300-05J10-000	COCK ASSY, FUEL	1	
2	01547-0620A-000	BOLT	2	
3	44366-23J00-000	GASKET	2	
4	44421-34J00-000	HOSE, FUEL UPPER	1	
5	09401-09L03-000	CLIP	2	
6	34810-34J00-000	GAUGE ASSY, FUEL LEVEL	1	
7	34825-28G00-000	O RING, FUEL LEVEL SENDER	1	
8	08316-1006B-000	NUT	4	

4



423A



423A (D-14) FUEL TANK COVER

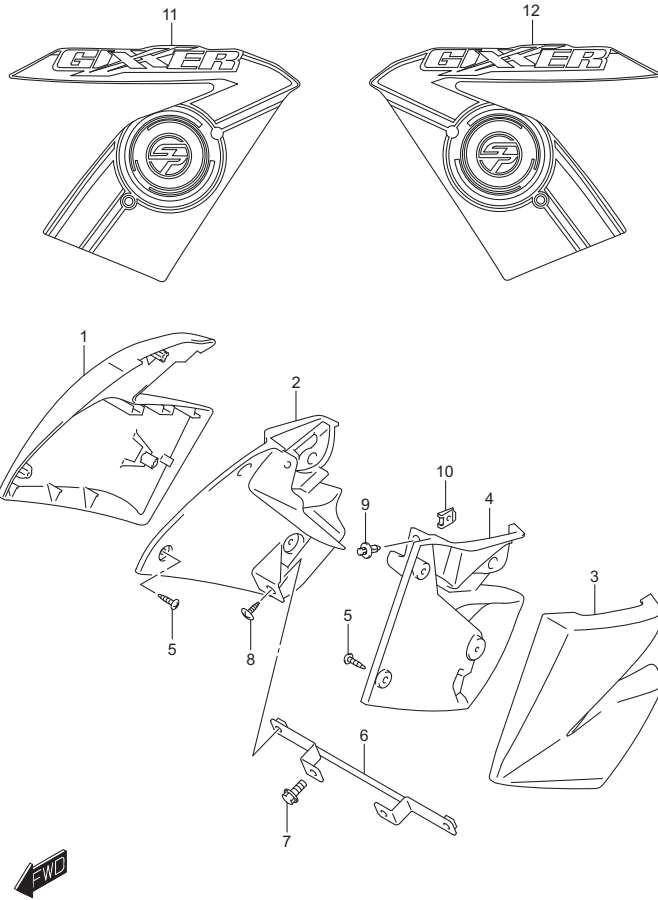
REF NO.	PART NO.	DESCRIPTION	QTY	REMARKS
1	44192-34J10-YVB	COVER, FUEL TANK RH (BLACK)	1	
2	44193-34J10-YVB	COVER, FUEL TANK LH (BLACK)	1	
3	44191-34J00-YME	COVER, FUEL TANK CENTER (ORANGE)	1	
4	44513-34J00-000	BOLT, FUEL TANK COVER	12	
5	47349-34J01-000	NUT, FUEL TANK COVER	9	
6	44211-34J01-000	COVER, FUEL TANK CAP	1	
7	44271-34J01-000	CUSHION, FUEL TANK COVER	2	
8	44281-34J00-000	CUSHION, FUEL TANK SIDE	2	
9	44282-34J01-000	CUSHION, FUEL TANK COVER CTR	1	
10	44295-34J00-000	RUBBER, FUEL TANK COVER	1	
11	44284-34J00-000	PROTECTOR, FUEL TANK COV NO.1 RH	1	
12	44285-34J00-000	PROTECTOR, FUEL TANK COV NO.1 LH	1	
13	02142-0608A-000	SCREW	2	
14	01550-0640A-000	BOLT	2	
15	09180-06222-000	SPACER (6.2X10X30)	2	
16	44543-34J10-000	CUSHION, FUEL TANK REAR UPPER	2	
17	68111-34J10-000	EMBLEM, "S"	2	
18	68184-34J50-BPQ	TAPE, FUEL TANK COVER RH	1	
19	68194-34J50-BPQ	TAPE, FUEL TANK COVER LH	1	
20	68186-34J00-JBA	TAPE, FUEL TANK COVER CTR (BLACK/ORANGE)	1	

4

424A

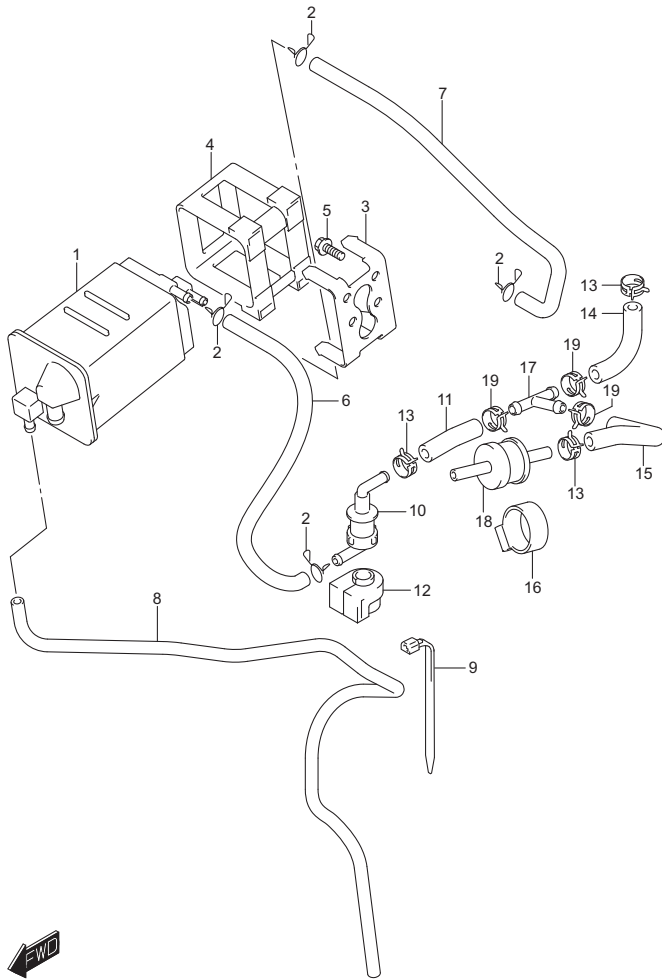
424A (D-15) FUEL TANK SIDE COVER

REF NO.	PART NO.	DESCRIPTION	QTY	REMARKS
1	47121-34J00-YVB	COVER, FRAME FRONT RH (BLACK)	1	
2	47131-34J00-000	COVER, FRAME FRONT INNER RH	1	
3	47221-34J00-YVB	COVER, FRAME FRONT LH (BLACK)	1	
4	47231-34J00-000	COVER, FRAME FRONT INNER LH	1	
5	03541-0416B-000	SCREW	6	
6	47180-34J00-000	BRACKET, FRAME COV FR CTR	1	
7	01550-0616B-000	BOLT	2	
8	09139-06165-000	SCREW (6X16)	2	
9	09409-06L07-000	CLIP	2	
10	09148-05060-000	NUT	2	
11	68665-34J30-BP7	TAPE, FRAME COVER FRONT RH	1	
12	68666-34J30-BP7	TAPE, FRAME COVER FRONT LH	1	



4

427A



427A (E-2) EVAP SYSTEM

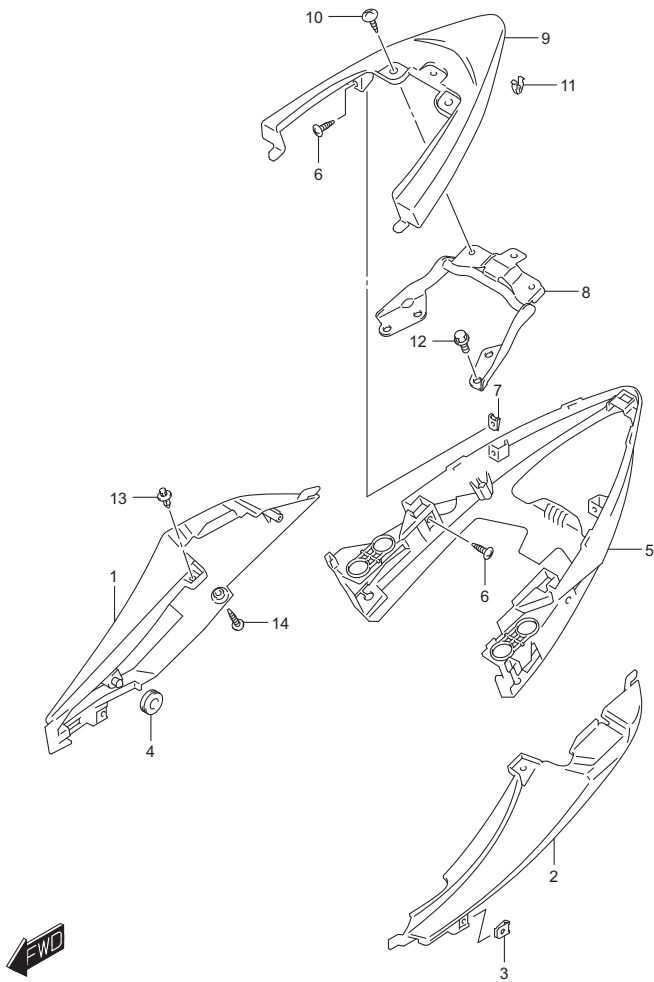
REF NO.	PART NO.	DESCRIPTION	QTY	REMARKS
1	18560-34J00-000	CANISTER ASSY, EVAP	1	
2	09401-09406-000	CLIP	4	
3	18571-34J00-000	BRACKET, CANISTER	1	
4	18572-29J00-000	CUSHION, CANISTER	1	
5	01547-0612A-000	BOLT	2	
6	18561-34JB0-000	HOSE, CANISTER SURGE	1	
7	18562-34J00-000	HOSE, CANISTER PURGE	1	
8	18568-34JB0-000	HOSE, CANISTER DRAIN	1	
9	09407-14L01-000	CLAMP (L:125)	1	
10	44240-13H10-000	VALVE, FUEL TANK BREATHER	1	
11	44436-34JA0-000	HOSE, 3 WAY & BRTHR VALVE	1	
12	44894-34J00-000	CUSHION, FUEL TANK BRTHR VALVE	1	
13	09401-11413-000	CLIP	3	
14	44434-34JA0-000	HOSE, TANK & 3 WAY	1	
15	44435-34JA0-000	HOSE, 3 WAY & CHECK VALVE	1	
16	44895-34JA0-000	CUSHION, CHECK VALVE	1	
17	09367-06002-000	JOINT, 3 WAY	1	
18	44240-10G00-000	VALVE ASSY, CHECK	1	
19	09401-09L03-000	CLIP	3	

4

445A

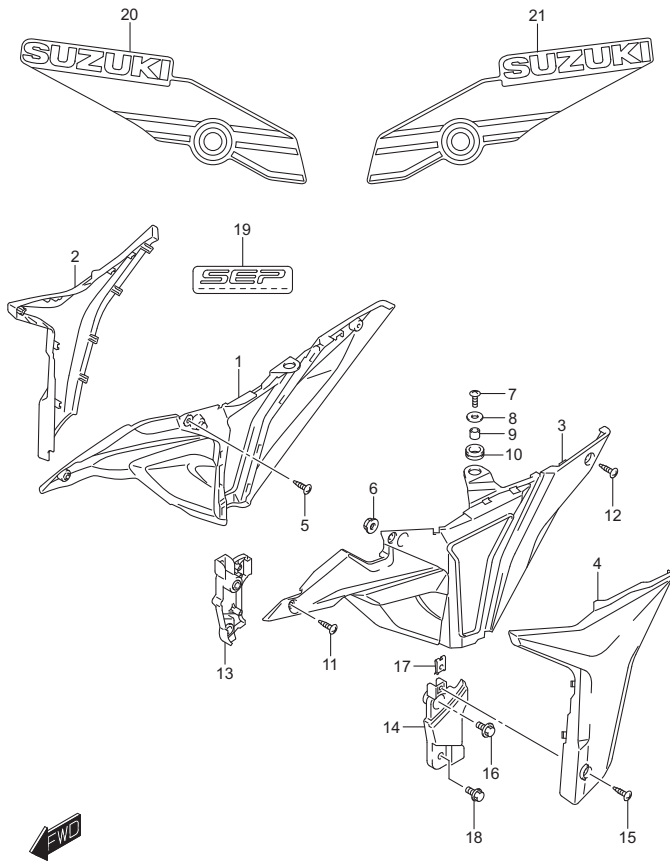
445A (E-3) FRAME COVER

4



REF NO.	PART NO.	DESCRIPTION	QTY	REMARKS
1	47831-34J00-YD8	COVER, FRAME UPPER RH (SILVER)	1	
2	47841-34J00-YD8	COVER, FRAME UPPER LH (SILVER)	1	
3	09148-05060-000	NUT	2	
4	47162-30H00-000	CUSHION, FRAME COVER UPPER	2	
5	47861-34J00-000	COVER, FRAME CENTER LWR	1	
6	03541-0516A-000	SCREW	4	
7	09148-05060-000	NUT	2	
8	47190-34J00-000	BRACKET, FRAME COVER	1	
9	47851-34J10-291	COVER, FRAME CENTER (BLACK)	1	
10	09139-06165-000	SCREW (6X16)	2	
11	09409-08L09-000	CLIP	1	
12	01550-0616A-000	BOLT	4	
13	09409-06L07-000	CLIP	2	
14	03541-0516B-000	SCREW	2	

446A



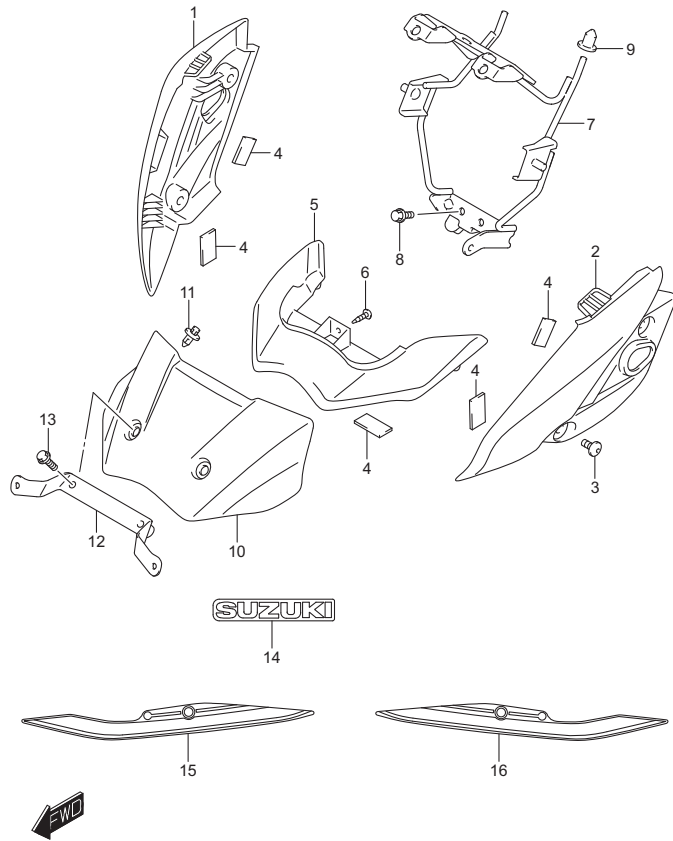
446A (E-4) FRAME LOWER COVER

REF NO.	PART NO.	DESCRIPTION	QTY	REMARKS
1	47111-34J00-000	COVER, FRAME RH	1	
2	47421-34J00-YME	COVER, FRAME NO.2 RH (ORANGE)	1	
3	47211-34J00-000	COVER, FRAME LH	1	
4	47521-34J00-YME	COVER, FRAME NO.2 LH (ORANGE)	1	
5	03541-0416A-000	SCREW	2	
6	47162-30H00-000	CUSHION, FRAME COVER	2	
7	02142-0616A-000	SCREW	2	
8	09160-06060-000	WASHER	2	
9	09180-06283-000	SPACER (6.5X10X7)	2	
10	47161-23J00-000	CUSHION, FRAME COVER UPPER	2	
11	03541-0516B-000	SCREW	2	
12	03541-0516B-000	SCREW	2	
13	47911-34J00-000	COVER, FRAME LOWER RH	1	
14	47921-34J00-000	COVER, FRAME LOWER LH	1	
15	03541-0516B-000	SCREW	2	
16	09111-06255-000	BOLT	2	
17	09148-05060-000	NUT	2	
18	94413-30H00-000	BOLT, FRAME COVER LOWER	2	
19	68136-39J10-000	EMBLEM, FRAME COVER	1	
20	68135-34J20-BPQ	TAPE, FRAME COVER RH	1	
21	68145-34J20-BPQ	TAPE, FRAME COVER LH	1	

4

451A

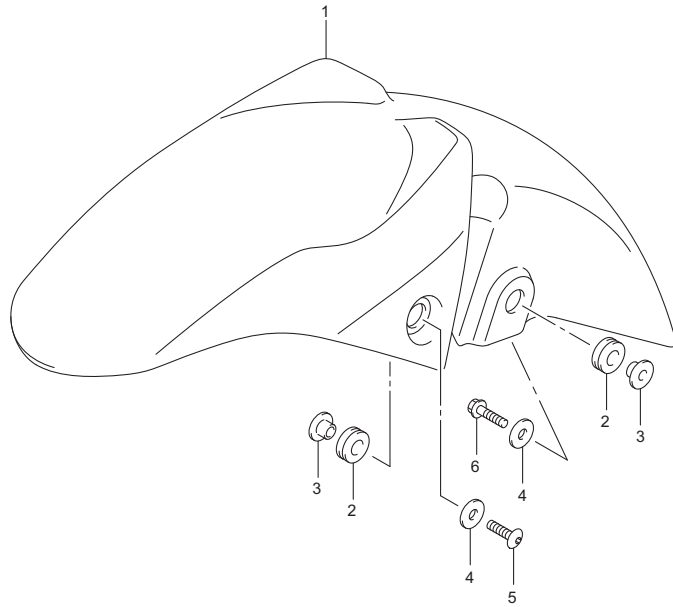
4



451A (E-5) HEADLAMP HOUSING

REF NO.	PART NO.	DESCRIPTION	QTY	REMARKS
1	51811-34J00-YVB	HOUSING, HEADLAMP RH (BLACK)	1	
2	51812-34J00-YVB	HOUSING, HEADLAMP LH (BLACK)	1	
3	94439-28G00-000	SCREW, HEADLAMP HSG	4	
4	48178-31C00-000	CUSHION, HEADLAMP HSG	6	
5	51813-34J10-291	HOUSING, HEADLAMP UPPER (BLACK)	1	
6	03541-0416A-000	SCREW	3	
7	51850-34J10-000	BRACE, HEADLAMP HSG	1	
8	01550-0616A-000	BOLT	2	
9	51831-30H00-000	CUSHION, COWLING BRACE	2	
10	51814-34J00-YVB	COVER, METER (BLACK)	1	
11	09409-06L07-000	CLIP	2	
12	51890-34J10-000	PLATE, FRONT LICENSE	1	
13	01550-0630B-000	BOLT	2	
14	68171-34J10-YMD	EMBLEM, SUZUKI (SILVER)	1	
15	68211-34J10-BPQ	TAPE, HEADLAMP HOUSING RH	1	
16	68212-34J10-BPQ	TAPE, HEADLAMP HOUSING LH	1	

460A



460A (E-6) FRONT FENDER

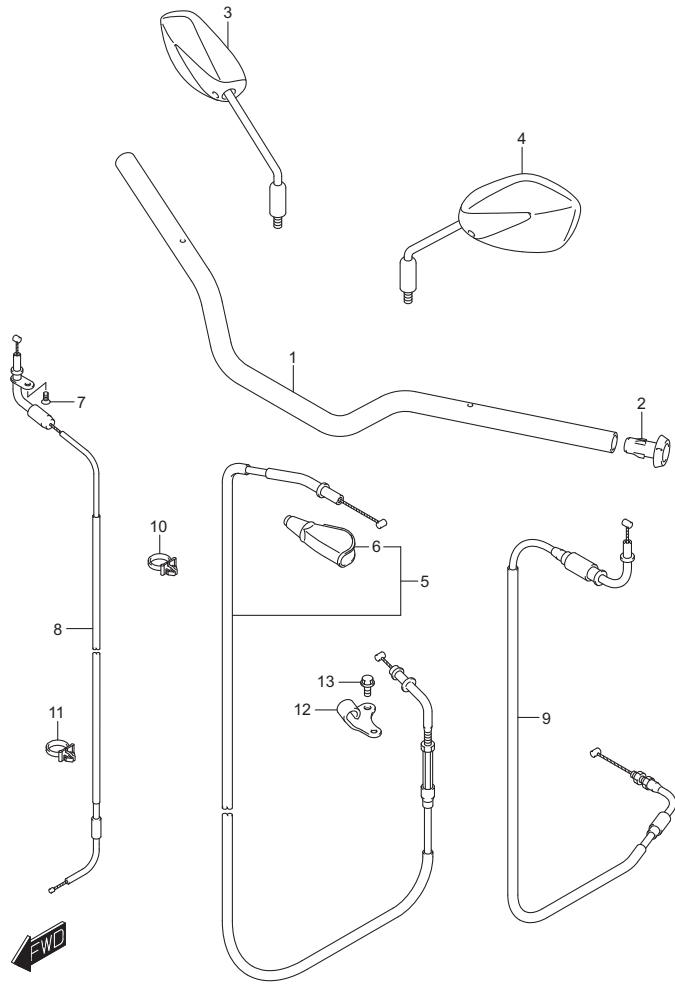
REF NO.	PART NO.	DESCRIPTION	QTY	REMARKS
1	53111-34J00-YVB	FENDER, FRONT (BLACK)	1	
2	47161-23J00-000	CUSHION, FRONT FENDER	4	
3	53275-34J00-000	SPACER, FRONT FENDER	4	
4	09160-06060-000	WASHER	4	
5	53113-30H00-000	SCREW, FR FENDER FR	2	
6	01550-0630B-000	BOLT	2	

462A

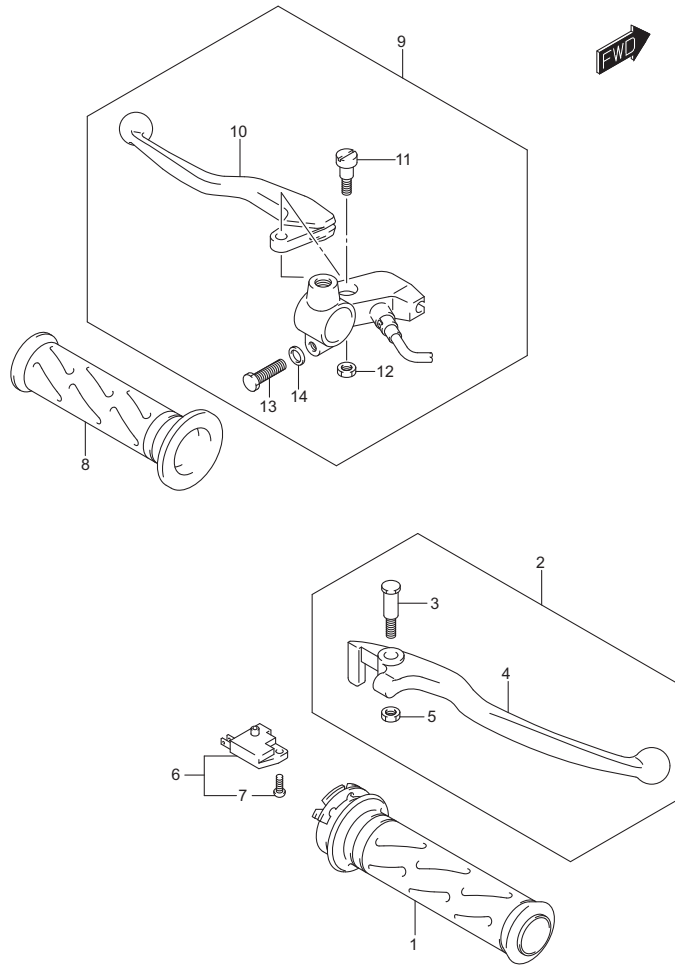
462A (E-7) HANDLEBAR

REF NO.	PART NO.	DESCRIPTION	QTY	REMARKS
1	56111-34J21-000	HANDLEBAR	1	
2	56216-34J00-000	CAP, GRIP END	2	
3	56500-34J40-000	MIRROR ASSY, REAR VIEW RH	1	
4	56600-34J40-000	MIRROR ASSY, REAR VIEW LH	1	
5	58200-34J00-000	CABLE ASSY, CLUTCH	1	
6	57315-28G20-000	.COVER, CLUTCH LEVER	1	
7	02112-0510B-000	SCREW	1	
8	58300-34J01-000	CABLE ASSY, THROTTLE	1	
9	58410-34J00-000	CABLE ASSY, STARTER	1	
10	58623-28G10-000	CLAMP, CLUTCH CABLE	2	
11	58624-28G00-000	CLAMP, THROTTLE CABLE	2	
12	58634-34J00-000	STOPPER, CLUTCH CABLE	1	
13	01550-0612A-000	BOLT	1	

4



467A



467A (E-8) HANDLE LEVER

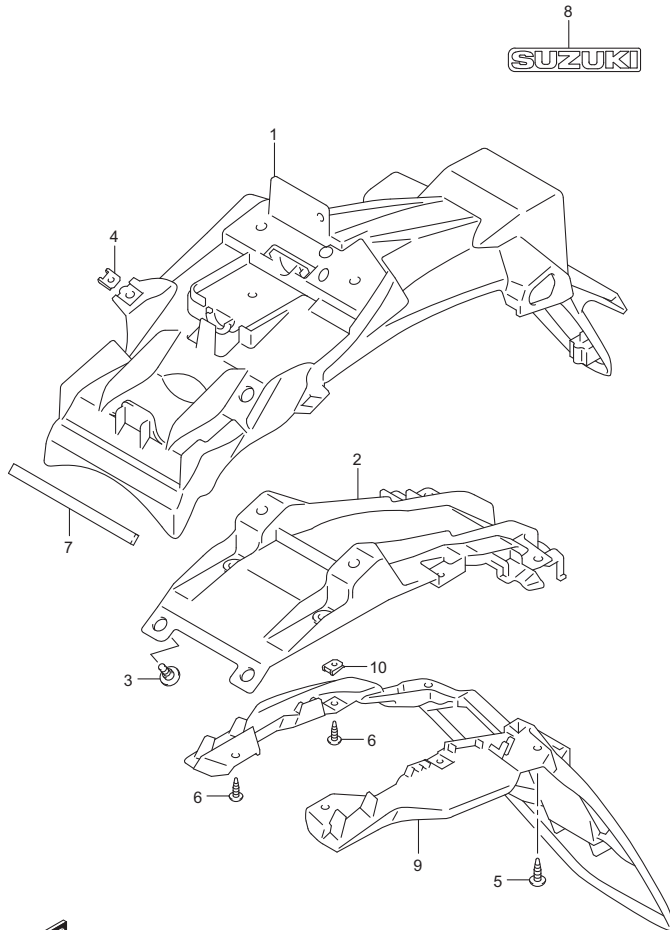
REF NO.	PART NO.	DESCRIPTION	QTY	REMARKS
1-1	57110-34J00-000	GRIP, THROTTLE	1	JAY USHIN
1-2	57110-34J10-000	GRIP, THROTTLE	1	MICRO MOULDS
2	57300-30H21-000	LEVER ASSY, BRAKE	1	
3	57431-30H20-000	.BOLT, BRAKE LEVER PIVOT	1	
4	57421-30H10-000	.LEVER, BRAKE	1	
5	57433-30H10-000	.NUT, BRAKE LEVER PIVOT	1	
6	57460-30H00-000	SWITCH ASSY, STOP	1	
7	57465-30H00-000	.SCREW	1	
8-1	57211-22D21-291	GRIP, LH (BLACK)	1	JAY USHIN
8-2	57211-22D80-000	GRIP, LH	1	MICRO MOULDS
9	57500-28G51-000	LEVER ASSY, CLUTCH	1	
10	57621-28G50-000	.LEVER, CLUTCH	1	
11	57431-28G20-000	.BOLT, CLUTCH LEVER PIVOT	1	
12	57433-28G30-000	.NUT, CLUTCH LEVER PIVOT	1	
13	57451-28G20-000	.BOLT, CLUTCH LEVER HOLDER	1	
14	57457-28G20-000	.WASHER, CLUTCH LEVER HOLDER	1	

4

474A

474A (E-9) REAR FENDER

REF NO.	PART NO.	DESCRIPTION	QTY	REMARKS
1	63111-34J00-000	FENDER, REAR	1	
2	63131-34J00-000	BRACKET, REAR FENDER	1	
3	09111-06072-000	BOLT (6X17.8)	4	
4	09148-05060-000	NUT	2	
5	03541-0616A-000	SCREW	6	
6	03541-0516B-000	SCREW	2	
7	63191-34J00-000	CUSHION, REAR FENDER	1	
8	68171-23J00-000	EMBLEM, "SUZUKI"	1	
9	63311-34J00-000	EXTENSION, REAR FENDER	1	
10	09148-05060-000	NUT	2	

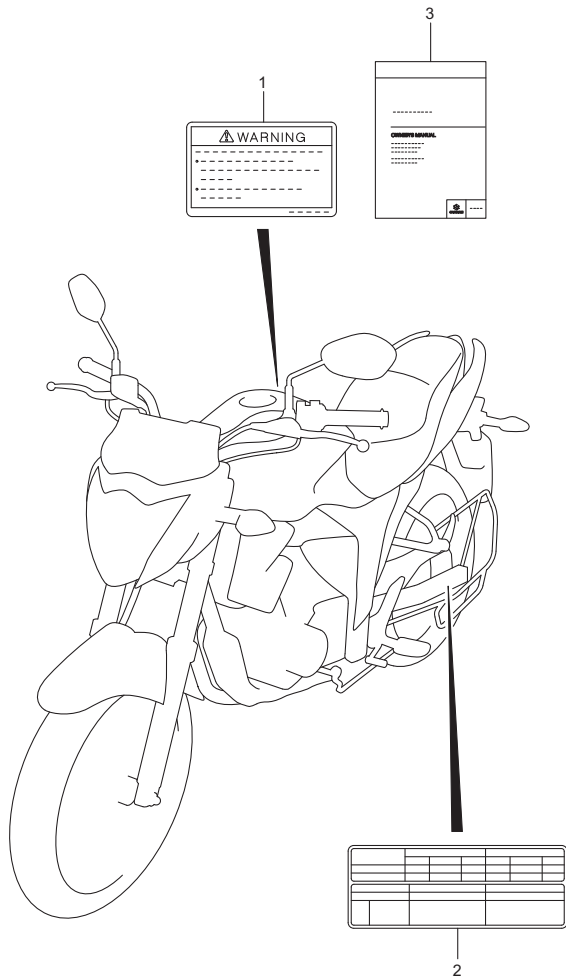


4



496A

496A (E-10) LABEL

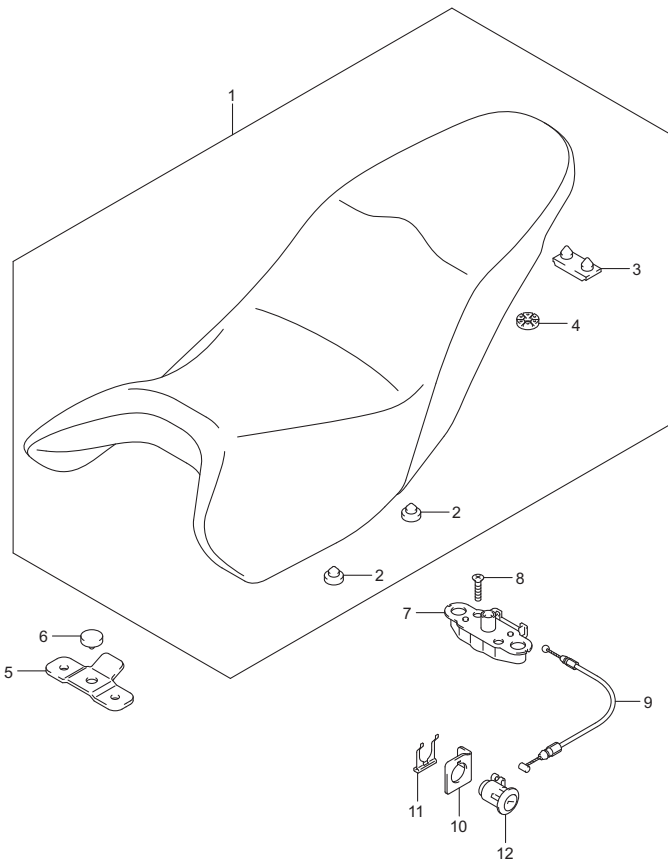


REF NO.	PART NO.	DESCRIPTION	QTY	REMARKS
1	68319-39J00-000	LABEL, GENERAL WARNING	1	
2	68332-34JD0-000	LABEL, TIRE INFORMATION	1	
3	99011-34J53-74A	MANUAL, OWNER'S	1	

505A

505A (E-11) SEAT

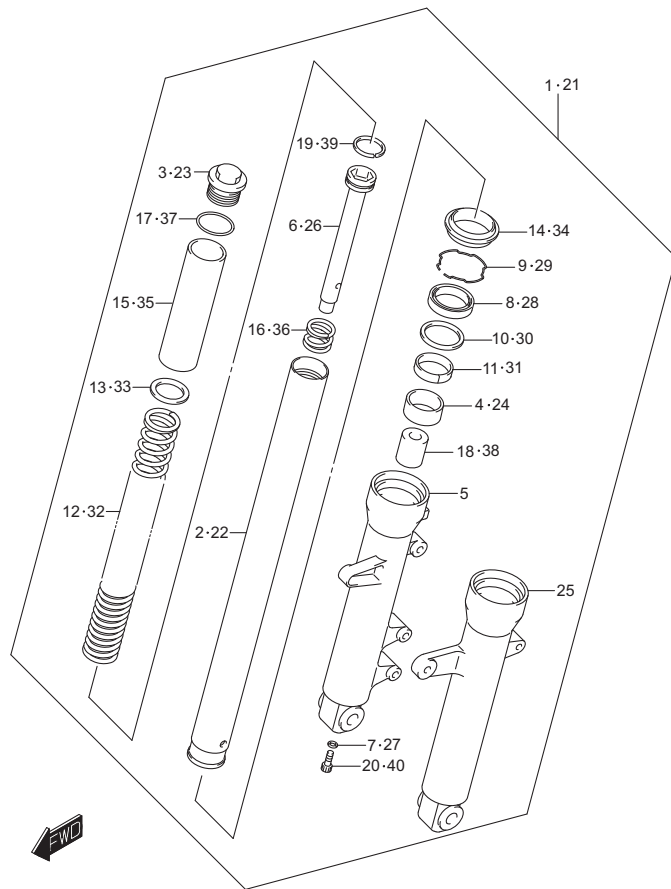
4



REF NO.	PART NO.	DESCRIPTION	QTY	REMARKS
1	45100-34J20-AW1	SEAT ASSY (BLACK/RED)	1	
2	45148-23J10-000	.CUSHION	6	
3	45149-41H10-000	.CUSHION	1	
4	45213-28G00-000	.CUSHION, SEAT LOCK STRIKER	2	
5	45316-34J00-000	BRACKET, SEAT FRONT	1	
6	45148-23J10-000	CUSHION, SEAT MOUNT	1	
7	45220-28G21-000	BRACKET, SEAT SUPPORT	1	
8	02122-0630A-000	SCREW	2	
9	45280-34J00-000	CABLE SEAT LOCK	1	
10	45288-20G20-000	GUIDE, SEAT LOCK CABLE	1	
11	45289-11F00-000	PLATE, SEAT LOCK ASSY	1	
12	95700-09G60-000	LOCK ASSY, SEAT	1	



521A

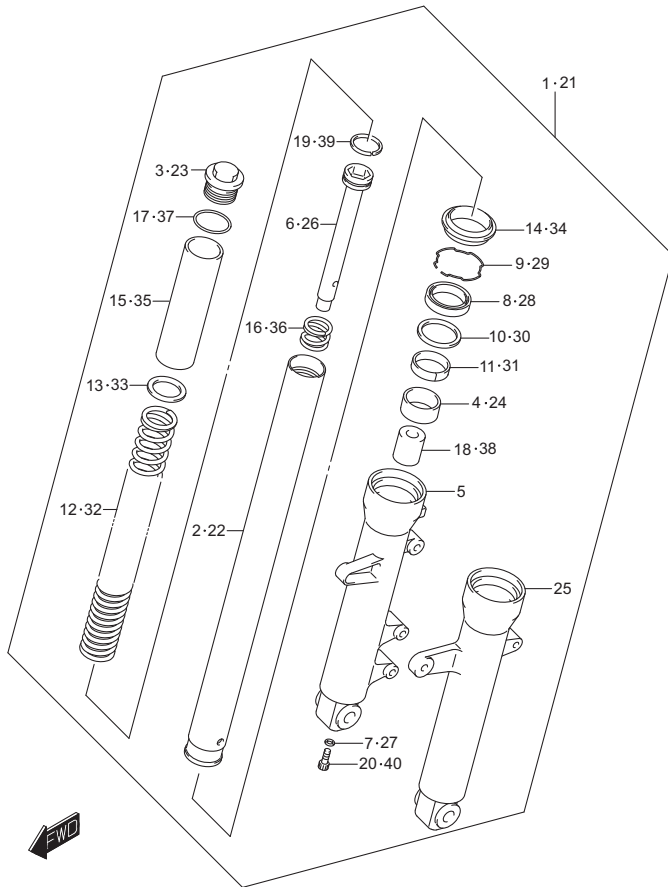


521A (E-12) FRONT FORK DAMPER (ENDURANCE)

REF NO.	PART NO.	DESCRIPTION	QTY	REMARKS
1	51103-34J20-000	DAMPER ASSY, FRONT FORK RH	1	
2	51111-34J20-000	.TUBE, INNER	1	
3	51113-34J20-000	.BOLT	1	
4	51121-34J00-000	.BUSH, SLIDE	1	
5	51131-34J00-000	.TUBE, OUTER RH	1	
6	51146-34J20-000	.CYLINDER	1	
7	51148-34J00-000	.GASKET LOWER	1	
8	51153-34J00-000	.OIL SEAL	1	
9	51156-34J00-000	.RING, SNAP	1	
10	51158-34J00-000	.WASHER	1	
11	51167-34J00-000	.METAL, SLIDE	1	
12	51171-34J00-000	.SPRING, MAIN	1	
13	51172-34J00-000	.WASHER	1	
14	51173-34J00-000	.SEAL, DUST	1	
15	51176-34J20-000	.SPACER, SPRING UPPER	1	
16	51177-34J00-000	.SPRING, REBOUND	1	
17	51181-34J00-000	.GASKET UPPER	1	
18	51195-34J00-000	.PIECE, OIL LOCK	1	
19	51196-34J00-000	.RING, PISTON	1	
20	51451-34J00-000	.BOLT	1	

521A

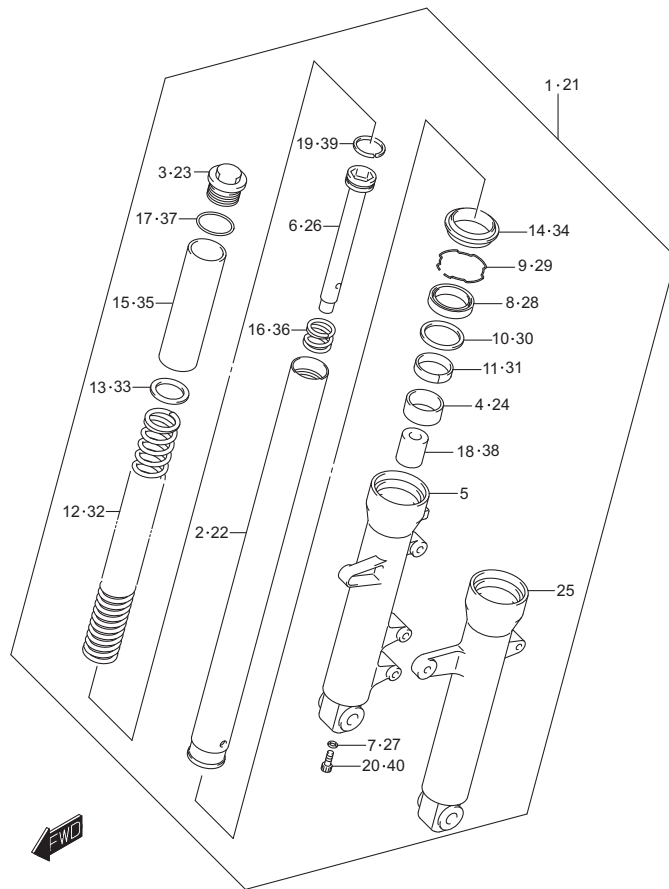
4



521A (E-13) FRONT FORK DAMPER (ENDURANCE)

REF NO.	PART NO.	DESCRIPTION	QTY	REMARKS
21	51104-34J20-000	DAMPER ASSY, FRONT FORK LH	1	
22	51111-34J20-000	.TUBE, INNER	1	
23	51113-34J20-000	.BOLT	1	
24	51121-34J00-000	.BUSH, SLIDE	1	
25	51141-34J00-000	.TUBE, OUTER LH	1	
26	51146-34J20-000	.CYLINDER	1	
27	51148-34J00-000	.GASKET LOWER	1	
28	51153-34J00-000	.OIL SEAL	1	
29	51156-34J00-000	.RING, SNAP	1	
30	51158-34J00-000	.WASHER	1	
31	51167-34J00-000	.METAL, SLIDE	1	
32	51171-34J00-000	.SPRING, MAIN	1	
33	51172-34J00-000	.WASHER	1	
34	51173-34J00-000	.SEAL, DUST	1	
35	51176-34J20-000	.SPACER, SPRING UPPER	1	
36	51177-34J00-000	.SPRING, REBOUND	1	
37	51181-34J00-000	.GASKET UPPER	1	
38	51195-34J00-000	.PIECE, OIL LOCK	1	
39	51196-34J00-000	.RING, PISTON	1	
40	51451-34J00-000	.BOLT	1	

521B



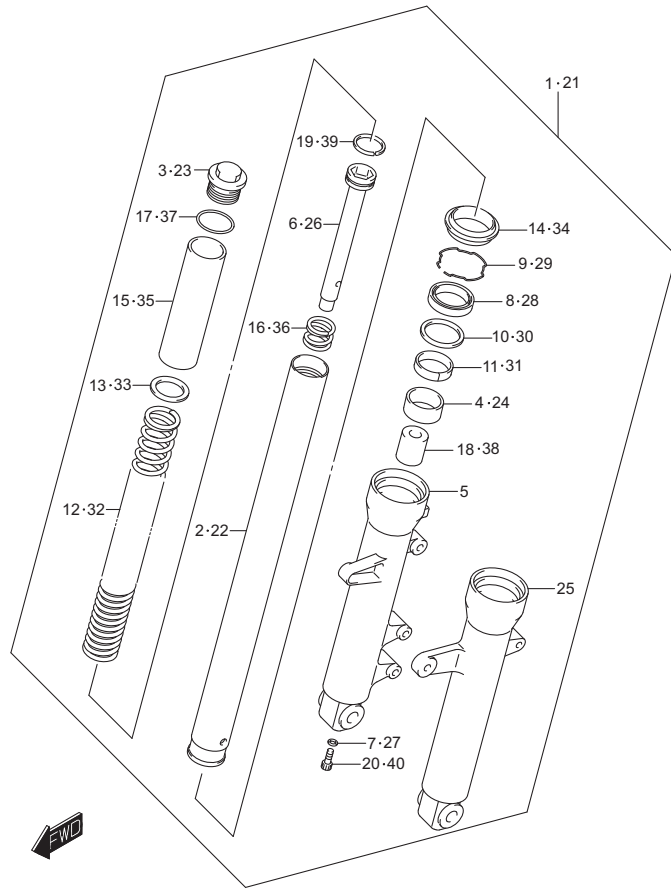
521B (E-14) FRONT FORK DAMPER (GABRIEL)

REF NO.	PART NO.	DESCRIPTION	QTY	REMARKS
1	51103-34J80-000	DAMPER ASSY, FRONT FORK RH	1	
2	51111-34J80-000	.TUBE, INNER	1	
3	51113-34J80-000	.BOLT	1	
4	51121-34J80-000	.BUSH, SLIDE	1	
5	51131-34J80-000	.TUBE, OUTER RH	1	
6	51146-34J80-000	.CYLINDER	1	
7	51148-34J80-000	.GASKET LOWER	1	
8	51153-34J80-000	.OIL SEAL	1	
9	51156-34J80-000	.RING, SNAP	1	
10	51158-34J80-000	.WASHER	1	
11	51167-34J80-000	.METAL, SLIDE	1	
12	51171-34J80-000	.SPRING, MAIN	1	
13	51172-34J80-000	.WASHER	1	
14	51173-34J80-000	.SEAL, DUST	1	
15	51176-34J80-000	.SPACER, SPRING UPPER	1	
16	51177-34J80-000	.SPRING, REBOUND	1	
17	51181-34J80-000	.GASKET UPPER	1	
18	51195-34J80-000	.PIECE, OIL LOCK	1	
19	51196-34J80-000	.RING, PISTON	1	
20	51451-34J80-000	.BOLT	1	

521B

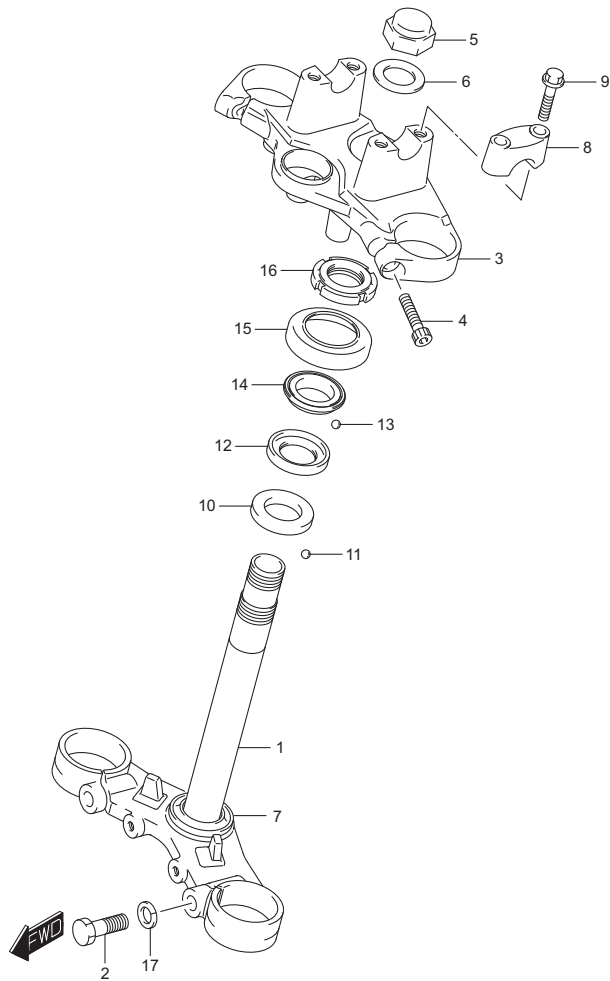
521B (E-15) FRONT FORK DAMPER (GABRIEL)

4



REF NO.	PART NO.	DESCRIPTION	QTY	REMARKS
21	51104-34J80-000	DAMPER ASSY, FRONT FORK LH	1	
22	51111-34J80-000	.TUBE, INNER	1	
23	51113-34J80-000	.BOLT	1	
24	51121-34J80-000	.BUSH, SLIDE	1	
25	51141-34J80-000	.TUBE, OUTER LH	1	
26	51146-34J80-000	.CYLINDER	1	
27	51148-34J80-000	.GASKET LOWER	1	
28	51153-34J80-000	.OIL SEAL	1	
29	51156-34J80-000	.RING, SNAP	1	
30	51158-34J80-000	.WASHER	1	
31	51167-34J80-000	.METAL, SLIDE	1	
32	51171-34J80-000	.SPRING, MAIN	1	
33	51172-34J80-000	.WASHER	1	
34	51173-34J80-000	.SEAL, DUST	1	
35	51176-34J80-000	.SPACER, SPRING UPPER	1	
36	51177-34J80-000	.SPRING, REBOUND	1	
37	51181-34J80-000	.GASKET UPPER	1	
38	51195-34J80-000	.PIECE, OIL LOCK	1	
39	51196-34J80-000	.RING, PISTON	1	
40	51451-34J80-000	.BOLT	1	

524A



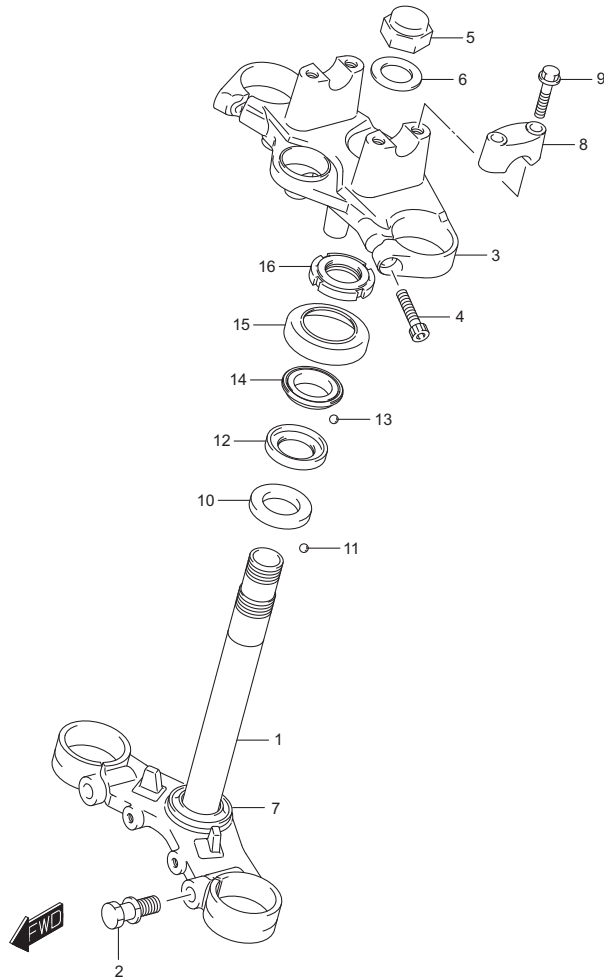
524A (F-2) STEERING STEM (ENDURANCE)

REF NO.	PART NO.	DESCRIPTION	QTY	REMARKS
1	51410-34J00-291	BRACKET, UNDER (BLACK)	1	
2	51434-34J00-000	BOLT	2	
3	51311-34J00-019	BRACKET, UPPER (BLACK)	1	
4	51328-34J00-000	BOLT	2	
5	51353-34J00-000	CAP	1	
6	51356-34J00-000	WASHER	1	
7	51621-28G00-000	RACE, STEERING OUTER LOWER	1	
8	56211-34J00-291	HOLDER, HANDLE UPPER (BLACK)	2	
9	51147-34J00-000	BOLT	4	
10	51611-33002-000	RACE, INNER LOWER	1	
11	06111-08004-000	STEEL BALL	18	LOWER
12	51611-20002-000	RACE, INNER UPPER	1	
13	06111-06004-000	STEEL BALL	22	UPPER
14	51621-28000-000	RACE, OUTER UPPER	1	
15	51643-25001-000	DUST SEAL	1	
16	51631-28000-000	NUT, STEERING STEM	1	
17	51435-34J00-000	WASHER	2	

524B

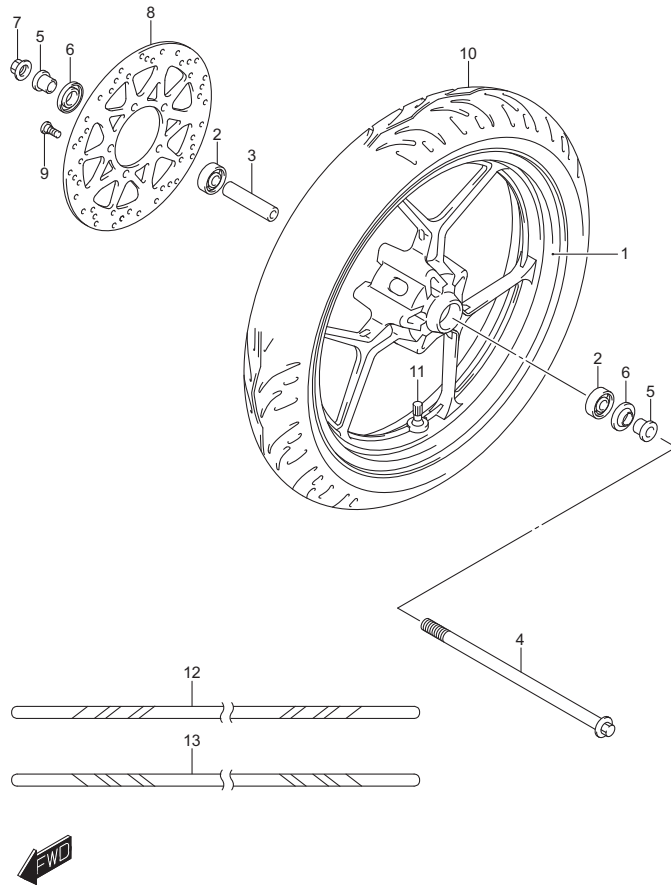
524B (F-3) STEERING STEM (GABRIEL)

4



REF NO.	PART NO.	DESCRIPTION	QTY	REMARKS
1	51410-34J80-291	BRACKET, UNDER (BLACK)	1	
2	51434-34J80-000	BOLT	2	
3	51311-34J70-019	BRACKET, UPPER (BLACK)	1	
4	51328-30H00-000	BOLT	2	
5	51353-30H00-000	NUT, STEM	1	
6	51356-30H00-000	WASHER, STEM	1	
7	51621-28G00-000	RACE, STEERING OUTER LOWER	1	
8	56211-34J70-291	HOLDER, HANDLE UPPER (BLACK)	2	
9	51147-34J80-000	BOLT	4	
10	51611-33002-000	RACE, INNER LOWER	1	
11	06111-08004-000	STEEL BALL	18	LOWER
12	51611-20002-000	RACE, INNER UPPER	1	
13	06111-06004-000	STEEL BALL	22	UPPER
14	51621-28000-000	RACE, OUTER UPPER	1	
15	51643-25001-000	DUST SEAL	1	
16	51631-28000-000	NUT, STEERING STEM	1	

530A



530A (F-4) FRONT WHEEL

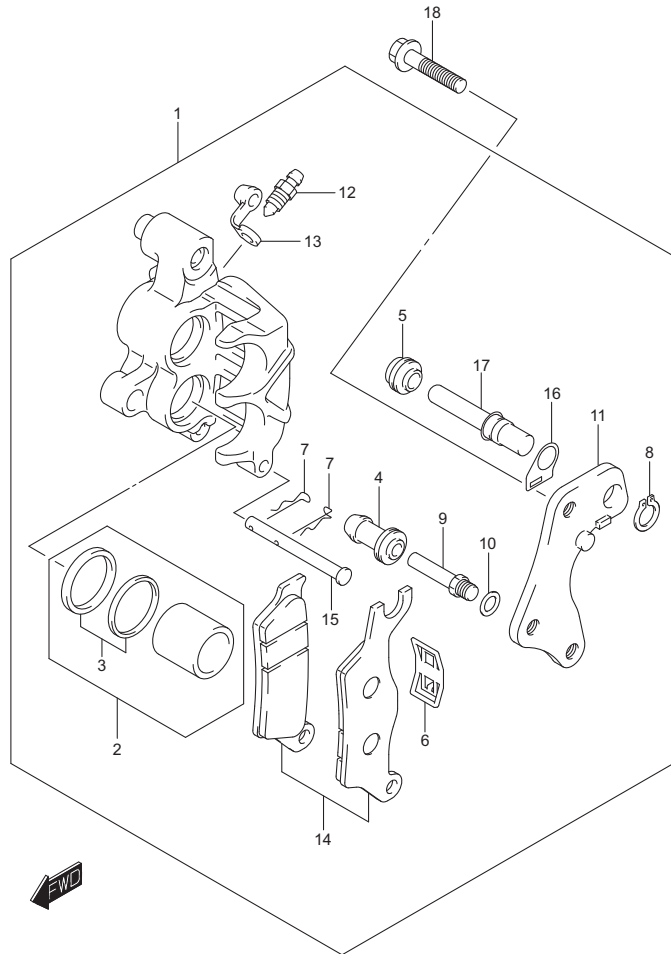
REF NO.	PART NO.	DESCRIPTION	QTY	REMARKS
1-1	54111-34J30-QC3	WHEEL, FRONT (17M/CXMT2.50) (BLACK)	1	(WITHOUT TAPE)
1-2	99000F10549CBP3	FRONT RIM WITH TAPE (RED/BLACK)	1	
2	08123-63017-000	BEARING	2	
3	54731-34J00-000	SPACER	1	
4	54711-34J00-000	AXLE, FRONT	1	
5	54741-33G00-000	SPACER, FRONT AXLE	2	
6	54841-23J00-000	SEAL, FRONT HUB DUST	2	
7	09159-12082-000	NUT	1	
8	59211-34J40-000	DISC, FRONT BRAKE	1	
9	59218-34J00-000	BOLT, FRONT BRAKE DISC	5	
10-1	55110-34J00-000	TIRE, FRONT (100/80-17M/C 52P)	1	ZAPPER FX1 MRF (NON-SERVICEABLE)
10-2	55110-34J60-000	TIRE, FRONT (100/80-17M/C 52P)	1	ZOOM PLUS SZ CEAT (NON-SERVICEABLE)
11	43130-24A70-000	VALVE ASSY, WHEEL RIM (TR412)	1	
12	68251-34J20-BP3	TAPE, WHEEL RH (RED/BLACK)	1	(NON-SERVICEABLE)
13	68252-34J20-BP3	TAPE, WHEEL LH (RED/BLACK)	1	(NON-SERVICEABLE)

4

535A

535A (F-5) FRONT CALIPER

4

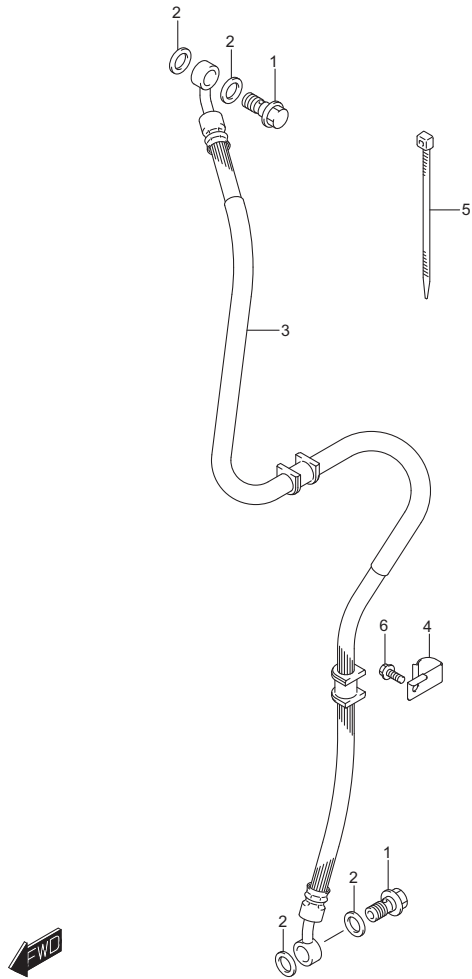


REF NO.	PART NO.	DESCRIPTION	QTY	REMARKS
1	59100-34J10-000	CALIPER ASSY, FRONT RH	1	
2	59100-34870-000	.PISTON SET	1	
3	59100-34860-000	..SEAL SET, PISTON	1	
4	59109-34J00-000	.INSULATOR	1	
5	59108-34J00-000	.DUST COVER	1	
6	59315-34J00-000	.SPRING, PAD	1	
7	59746-34J00-000	.CLIP	2	
8	59665-34J00-000	.CIRCLIP	1	
9	59187-34J00-000	.PIN	1	
10	59188-34J00-000	.SPACER	1	
11	59351-34J00-000	.BRACKET	1	
12	59121-30H00-000	.SCREW, BLEEDER	1	
13	59122-30H00-000	.CAP, BLEEDER	1	
14	59100-34880-000	.PAD SET	1	
15	59141-34J10-000	.PIN, PAD	1	
16	59145-34J00-000	.STOPPER	1	
17	59382-34J00-000	.PIN	1	
18	01550-0835A-000	BOLT	2	

536A

536A (F-6) FRONT BRAKE HOSE

REF NO.	PART NO.	DESCRIPTION	QTY	REMARKS
1	59492-30H20-000	BOLT, BRAKE FLUID	2	
2	59502-34J10-000	WASHER, BRAKE FLUID	4	
3	59480-34J30-000	HOSE, FRONT BRAKE	1	
4	59266-34J00-000	CLAMP, FRONT BRAKE HOSE NO.1	1	
5	09407-14407-000	CLAMP (L:145)	1	
6	01550-0612B-000	BOLT	2	

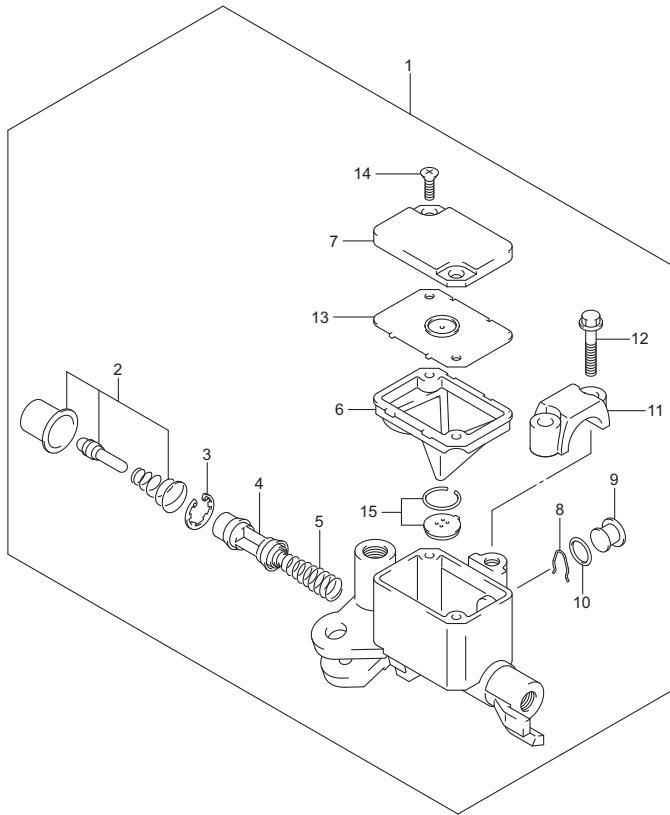


4

537A

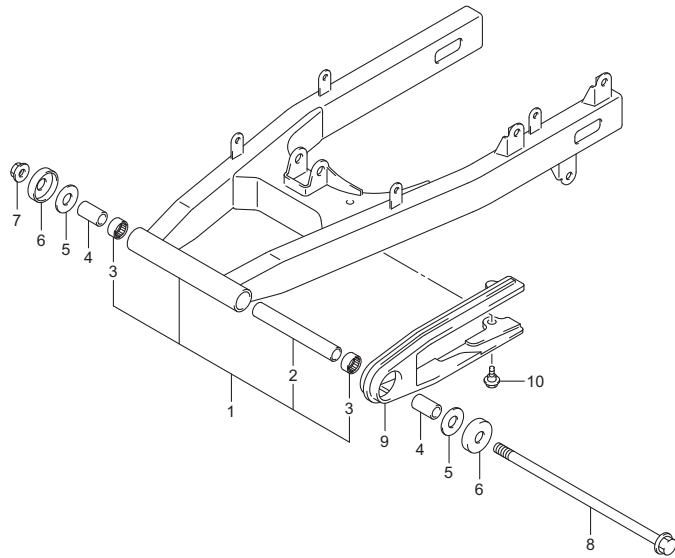
537A (F-7) FRONT MASTER CYLINDER

4



REF NO.	PART NO.	DESCRIPTION	QTY	REMARKS
1	59600-30H30-000	CYLINDER ASSY, FRONT MASTER	1	
2	59870-30H00-000	.ROD ASSY, PUSH	1	
3	59665-30H00-000	.CIRCLIP	1	
4	59610-30H00-000	.PISTON ASSY	1	
5	57318-30H00-000	.SPRING	1	
6	59667-30H00-000	.DIAPHRAGM	1	
7	59687-30H20-000	.COVER	1	
8	59745-30H00-000	.CLIP	1	
9	59743-30H00-000	.WINDOW	1	
10	59744-30H00-000	.O RING	1	
11	59671-30H00-000	.CLAMP	1	
12	59688-30H00-000	.SCREW	2	
13	59668-30H00-000	.PLATE, DIAPHRAGM	1	
14	59691-30H00-000	.FLAT SCREW	2	
15	59669-30H00-000	.CAP	1	

541A

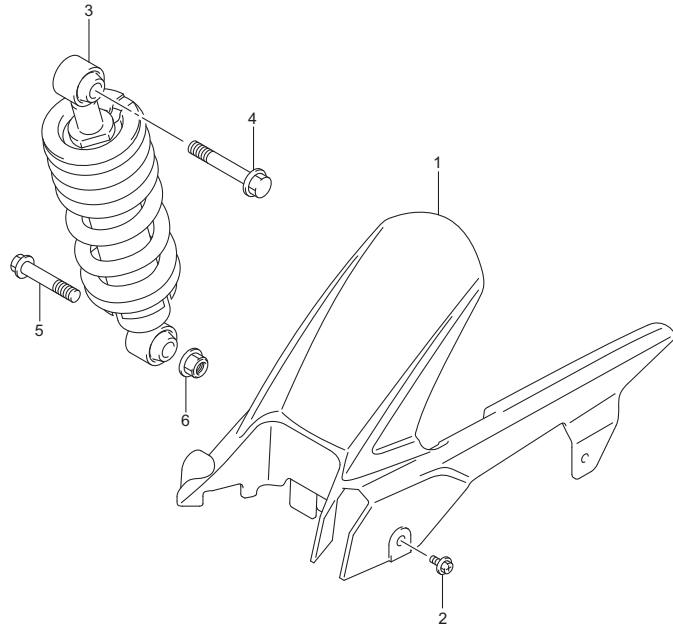


541A (F-8) REAR SWINGINGARM

REF NO.	PART NO.	DESCRIPTION	QTY	REMARKS
1	61000-34J50-000	SWINGINGARM ASSY, REAR	1	
2	61280-34J00-000	.SPACER, RR SWGARM PIVOT	1	
3	09263-17051-000	.BEARING	2	
4	61251-34J00-000	SPACER, ARM PIVOT	2	
5	09181-12010-000	SHIM (12.5X27.8X0.8)	2	
6	61262-34J00-000	COVER, ARM PIVOT	2	
7	09159-12082-000	NUT	1	
8	61211-23J00-000	SHAFT, PIVOT	1	
9	61273-34J00-000	BUFFER, CHAIN TOUCH DEFENSE	1	
10	09111-06072-000	BOLT (6X17.8)	1	

542A

542A (F-9) CHAIN CASE

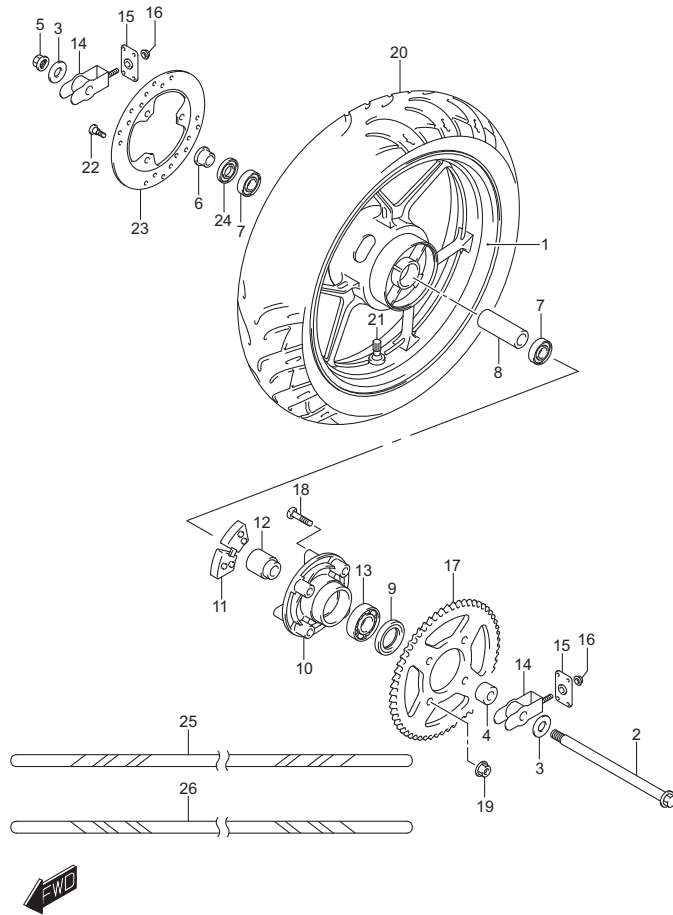


REF NO.	PART NO.	DESCRIPTION	QTY	REMARKS
1	61311-34J00-000	CASE, CHAIN	1	
2	09111-06107-000	BOLT (6X12)	4	
3-1	62100-34J11-YKS	ABSORBER ASSY, REAR SHOCK (RED)	1	ENDURANCE
3-2	62100-34J20-YKS	ABSORBER ASSY, REAR SHOCK (RED)	1	GABRIEL
4	62658-47H00-000	BOLT, RR SHOCK ABSORBER	1	UPPER
5	62668-30B00-000	BOLT, RR SHOCK ABSORBER	1	LOWER
6	09159-12082-000	NUT	1	LOWER

4



550A



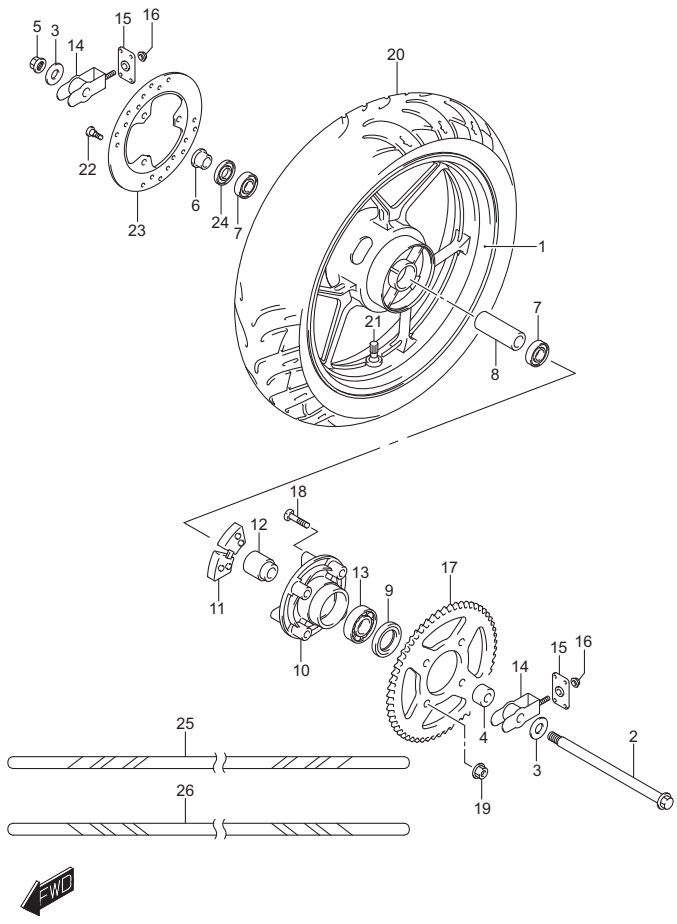
550A (F-10) REAR WHEEL

REF NO.	PART NO.	DESCRIPTION	QTY	REMARKS
1-1	64111-34J00-QC3	WHEEL, REAR (17M/CXMT3.50) (BLACK)	1	(WITHOUT TAPE)
1-2	99000F10550CBP3	REAR RIM WITH TAPE (RED/BLACK)	1	
2	64711-34J00-000	AXLE, REAR	1	
3	61445-34J00-000	WASHER, REAR AXLE	2	
4	64751-34J00-000	SPACER, LH	1	
5	64721-30H00-000	NUT	1	
6	64741-34J00-000	SPACER, RH	1	
7	08123-63027-000	BEARING	2	
8	64731-34J00-000	SPACER, REAR WHEEL BEARING	1	
9	64831-43J00-000	SEAL, RR SPROCKET MTG DRUM	1	
10	64611-35J00-000	DRUM, SPROCKET MOUNTING	1	
11	64651-35J00-000	ABSORBER, REAR HUB SHOCK	4	
12	64761-34J00-000	RETAINER, DRUM	1	
13	08123-60057-000	BEARING	1	
14	61410-34J00-000	ADJUSTER, CHAIN	2	
15	61421-30H00-000	PLATE, CHAIN ADJUSTER GUIDE	2	
16	08319-3106A-000	NUT	2	
17-1	64511-34J20-000	SPROCKET, REAR (NT:45)	1	LGB
17-2	64511-34J50-000	SPROCKET, REAR (NT:45)	1	FLASH ELECTRONIC
18	09105-08011-000	BOLT (8X36)	4	
19	08319-3108A-000	NUT	4	
20-1	65110-34J00-000	TIRE, REAR (140/60R17M/C 63P)	1	REVZ-Y MRF (NON-SERVICEABLE)
20-2	65110-34J60-000	TIRE, REAR (140/60R17M/C 63P)	1	ZOOM-RAD SZ CEAT (NON-SERVICEABLE)
21	43130-24A70-000	VALVE ASSY, WHEEL RIM (TR412)	1	
22	59218-34J00-000	BOLT, REAR BRAKE DISC	3	
23	69211-34J00-000	DISC, REAR BRAKE	1	
24	54841-48H10-000	SEAL, WHEEL DUST	1	

550A

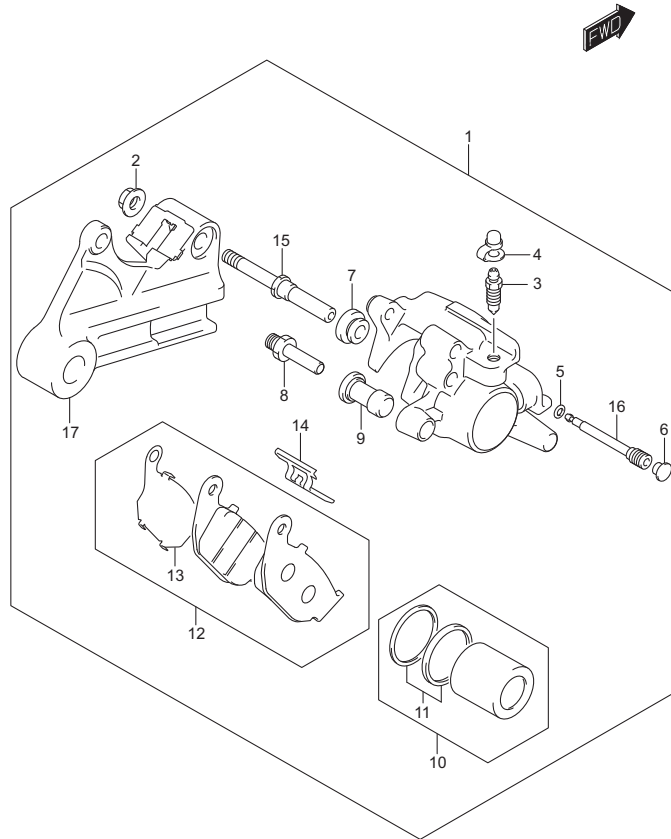
550A (F-11) REAR WHEEL

REF NO.	PART NO.	DESCRIPTION	QTY	REMARKS
25	68251-34J20-BP3	TAPE, WHEEL RH (RED/BLACK)	1	(NON-SERVICEABLE)
26	68252-34J20-BP3	TAPE, WHEEL LH (RED/BLACK)	1	(NON-SERVICEABLE)



4

555A



555A (F-12) REAR CALIPER

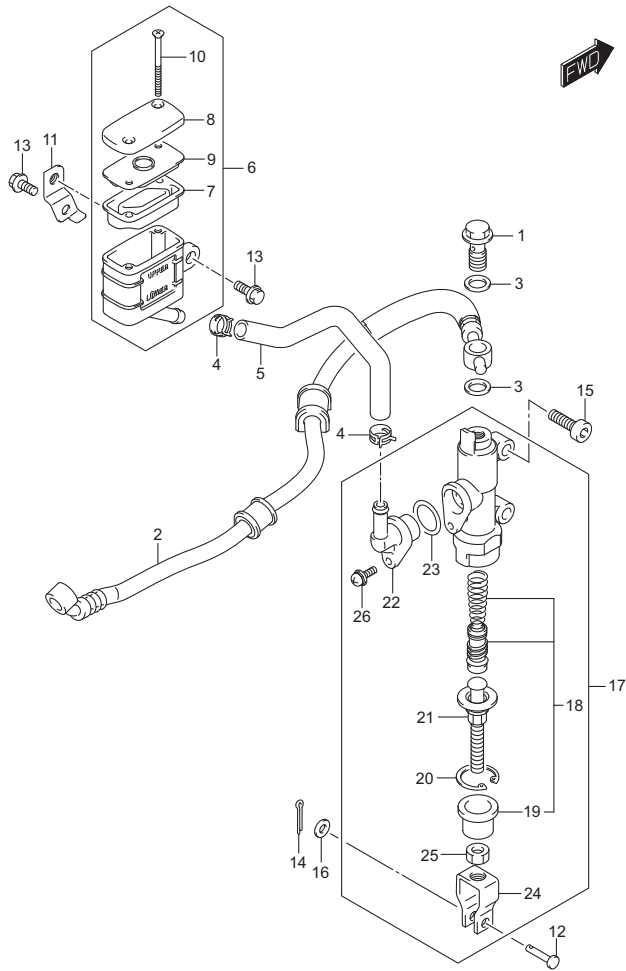
REF NO.	PART NO.	DESCRIPTION	QTY	REMARKS
1	69100-34J00-000	CALIPER ASSY, REAR	1	
2	51315-61J00-000	.NUT, CYLINDER PUSH ROD	1	
3	59121-01A00-000	.BLEEDER	1	
4	59122-01A00-000	.CAP, BLEEDER	1	
5	59145-37F00-000	.RING, STOPPER	1	
6	59146-20G00-000	.PLUG, PIN	1	
7	59303-14500-000	.BOOT	1	
8	59382-14500-000	.PIN	1	
9	59386-13A00-000	.BOOT	1	
10	69100-20850-000	.PISTON SET	1	
11	59100-38860-000	..SEAL SET, PISTON	1	
12	69100-34891-000	.PAD & SHIM SET	1	
13	69134-34J00-000	..SHIM	1	
14	69115-20G01-000	.SPRING, PAD	1	
15	69187-34J00-000	.PIN	1	
16	69345-20G00-000	.PIN, HANGER	1	
17	69720-34J00-000	.BRACKET	1	

4

558A

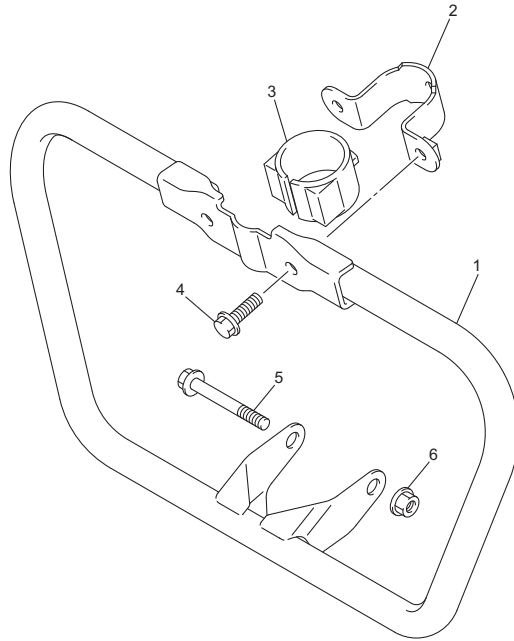
558A (F-13) REAR MASTER CYLINDER

4



REF NO.	PART NO.	DESCRIPTION	QTY	REMARKS
1	59492-30H30-000	BOLT, BRAKE FLUID	2	
2	69480-34J00-000	HOSE, REAR BRAKE	1	
3	09168-10033-000	WASHER (10.2X15X1.4)	4	
4	59735-17C00-000	CLIP, REAR RESERVOIR HOSE	2	
5	69731-34J00-000	HOSE, REAR RESERVOIR TANK	1	
6	69740-34J00-000	TANK ASSY, REAR RESERVOIR	1	
7	69667-01H00-000	.DIAPHRAGM	1	
8	59669-22J00-000	.CAP	1	
9	69668-01H00-000	.PLATE DIAPHRAGM	1	
10	69689-01H00-000	.SCREW	2	
11	69750-34J20-000	BRACKET, REAR RSVR TANK	1	
12	09200-06037-000	PIN	1	
13	01550-0612A-000	BOLT	2	
14	04111-2015A-000	COTTER PIN	1	
15	07130-0620A-000	BOLT	2	
16	08322-0106A-000	WASHER	1	
17	69600-34J00-000	CYLINDER ASSY, REAR MASTER	1	
18	69600-34840-000	.PISTON / CUP SET	1	
19	69691-04A00-000	.BOOT	1	
20	69665-47H00-000	.CIRCLIP	1	
21	69670-36E00-000	.ROD, PUSH	1	
22	69672-34J00-000	.CONNECTOR	1	
23	69686-34200-000	.O RING	1	
24	69692-34J00-000	.YOKE	1	
25	69693-05A00-000	.NUT	1	
26	02112-74125-000	.SCREW	1	

970A



970A (F-14) OPTIONAL (BUMPER SET)

REF NO.	PART NO.	DESCRIPTION	QTY	REMARKS
1	94210-34J00-000	BUMPER COMP, FRONT	1	
2	94220-34J00-000	BRACKET COMP, FRONT BUMPER	1	
3	94231-34J00-000	CUSHION, FRONT BUMPER	1	
4	01550-0816B-000	BOLT	2	
5	41999-05J10-000	BOLT, ENGINE MOUNTING LWR	1	
6	08319-3108B-000	NUT	1	

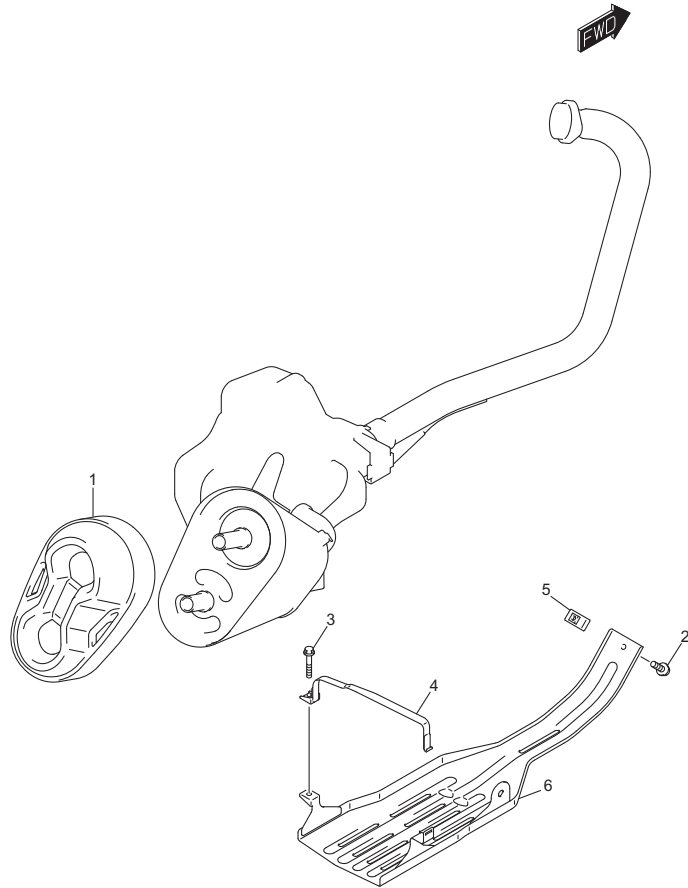


970B

970B (F-15) OPTIONAL (MUFFLER COVER)

REF NO.	PART NO.	DESCRIPTION	QTY	REMARKS
1	14791-34J10-000	COVER, MUFFLER RR	1	
2	01550-0620A-000	BOLT, MUF LOWER COVER FRONT	1	
3	01547-0630A-000	BOLT, MUF LOWER COVER REAR	1	
4	14730-34J00-000	CLAMP, MUFFLER LOWER COVER REAR	1	
5	14720-34J00-000	CLAMP, MUFFLER LOWER COVER FRONT	1	
6	14710-34J00-000	COVER, MUFFLER LOWER	1	

4



PARTS NUMBER INDEX

PART NO.	FIG. NO.-REFNO.	PART NO.	FIG. NO.-REFNO.	PART NO.	FIG. NO.-REFNO.
62100-34J11-YKS	542A - 3-1	69670-36E00-000	558A - 21		
62100-34J20-YKS	542A - 3-2	69672-34J00-000	558A - 22		
62658-47H00-000	542A - 4	69686-34200-000	558A - 23		
62668-30B00-000	542A - 5	69689-01H00-000	558A - 10		
63111-34J00-000	474A - 1	69691-04A00-000	558A - 19		
63131-34J00-000	474A - 2	69692-34J00-000	558A - 24		
63191-34J00-000	474A - 7	69693-05A00-000	558A - 25		
63311-34J00-000	474A - 9	69720-34J00-000	555A - 17		
64111-34J00-QC3	550A - 1-1	69731-34J00-000	558A - 5		
64511-34J20-000	550A - 17-1	69740-34J00-000	558A - 6		
64511-34J50-000	550A - 17-2	69750-34J20-000	558A - 11		
64611-35J00-000	550A - 10				
64651-35J00-000	550A - 11				
64711-34J00-000	550A - 2				
64721-30H00-000	550A - 5				
64731-34J00-000	550A - 8				
64741-34J00-000	550A - 6	90000			
64751-34J00-000	550A - 4				
64761-34J00-000	550A - 12				
64831-43J00-000	550A - 9				
65110-34J00-000	550A - 20-1	94210-34J00-000	970A - 1		
65110-34J60-000	550A - 20-2	94220-34J00-000	970A - 2		
68111-34J10-000	423A - 17	94231-34J00-000	970A - 3		
68135-34J20-BPQ	446A - 20	94413-30H00-000	446A - 18		
68136-39J10-000	446A - 19	94439-28G00-000	451A - 3		
68145-34J20-BPQ	446A - 21	94990-28G10-000	401A - 14		
68171-23J00-000	474A - 8	95700-09G60-000	505A - 12		
68171-34J10-YMD	451A - 14	96412-33G50-000	401A - 9		
68184-34J50-BPQ	423A - 18	96414-33G50-000	401A - 10		
68186-34J00-JBA	423A - 20	96511-34J00-000	401A - 13		
68194-34J50-BPQ	423A - 19	96513-23J00-000	401A - 11		
68211-34J10-BPQ	451A - 15	96513-23J10-000	401A - 12		
68212-34J10-BPQ	451A - 16	99000F10549CBP3	530A - 1-2		
68251-34J20-BP3	530A - 12	99000F10550CBP3	550A - 1-2		
68251-34J20-BP3	550A - 25	99011-34J53-74A	496A - 3		
68252-34J20-BP3	530A - 13				
68252-34J20-BP3	550A - 26				
68319-39J00-000	496A - 1				
68332-34JD0-000	496A - 2				
68665-34J30-BP7	424A - 11				
68666-34J30-BP7	424A - 12				
69100-20850-000	555A - 10				
69100-34891-000	555A - 12				
69100-34J00-000	555A - 1				
69115-20G01-000	555A - 14				
69134-34J00-000	555A - 13				
69187-34J00-000	555A - 15				
69211-34J00-000	550A - 23				
69345-20G00-000	555A - 16				
69480-34J00-000	558A - 2				
69600-34840-000	558A - 18				
69600-34J00-000	558A - 17				
69665-47H00-000	558A - 20				
69667-01H00-000	558A - 7				
69668-01H00-000	558A - 9				

PART NO.	FIG. NO.-REFNO.	PART NO.	FIG. NO.-REFNO.	PART NO.	FIG. NO.-REFNO.

SUZUKI GENUINE ACCESSORIES & MERCHANDISE



PART NO	ENGLISH NAME
99000F10417C000	WIND CHEATER



PART NO	ENGLISH NAME
99000F10410GB0M	HELMET_FF_BLK_M
99000F10410GB0L	HELMET_FF_BLK_L
99000F10410GBXL	HELMET_FF_BLK_XL
99000F10410SF0M	HELMET_FF_BLU_M
99000F10410SF0L	HELMET_FF_BLU_L
99000F10410SFXL	HELMET_FF_BLU_XL



PART NO	ENGLISH NAME
99000F10525C00L	HAYABUSA T-SHIRT-L
99000F10525C0XL	HAYABUSA T-SHIRT-XL
99000F10525CXXL	HAYABUSA T-SHIRT-XXL



PART NO	ENGLISH NAME
99000F10410MG0M	HELMET_OF_GRY_M
99000F10410MG0L	HELMET_OF_GRY_L
99000F10410MW0M	HELMET_OF_WHT_M
99000F10410MW0L	HELMET_OF_WHT_L



PART NO	ENGLISH NAME
99000F10526C00L	MOTO GP JACKET-L
99000F10526C0XL	MOTO GP JACKET-XL
99000F10526CXXL	MOTO GP JACKET-XXL



PART NO	ENGLISH NAME
99000F10410PB0L	HELMET_FF_BLK_L
99000F10410PBXL	HELMET_FF_BLK_XL



PART NO	ENGLISH NAME
99000F10527C00L	TEAM SUZUKI PIT SHIRT-L
99000F10527C0XL	TEAM SUZUKI PIT SHIRT-XL
99000F10527CXXL	TEAM SUZUKI PIT SHIRT-XXL



PART NO	ENGLISH NAME
99000F10422C00M	HELMET_OF_BLK_M
99000F10422C00L	HELMET_OF_BLK_L
99000F10422C0XL	HELMET_OF_BLK_XL



PART NO	ENGLISH NAME
99000F10414C000	CAP



PART NO	ENGLISH NAME
99000F10423C00M	HELMET_OF_WHT_M
99000F10423C00L	HELMET_OF_WHT_L
99000F10423C0XL	HELMET_OF_WHT_XL

SUZUKI GENUINE ACCESSORIES



PART NO	ENGLISH NAME
99000F10532CD0M	HELMET_OF_DSTM_M
99000F10532CD0L	HELMET_OF_DSTM_L



PART NO	ENGLISH NAME	MODEL
99000F10546C000	GARNISH COMBO KIT	UZ125L7~
99000F10548C000	CENTER & FENDER, GARNISH SET	
99000F10544C000	SIDE PROTECTOR, GARNISH SET	
99000F10545C000	TAIL LAMP, GARNISH SET	



PART NO	ENGLISH NAME
99000F10532CR0M	HELMET_OF_RED_M
99000F10532CR0L	HELMET_OF_RED_L
99000F10532CRXL	HELMET_OF_RED_XL
99000F10532CB0M	HELMET_OF_BLU_M
99000F10532CB0L	HELMET_OF_BLU_L
99000F10532CBXL	HELMET_OF_BLU_XL



PART NO	ENGLISH NAME	MODEL
56500-33GL0-000	MIRROR ASSY, REAR VIEW RH	UZ125L7~
56600-33GL0-000	MIRROR ASSY, REAR VIEW LH	



PART NO	ENGLISH NAME
99000F10533CG0M	HELMET_FF_GRY_M
99000F10533CG0L	HELMET_FF_GRY_L
99000F10533CGXL	HELMET_FF_GRY_XL



PART NO	ENGLISH NAME	MODEL
99000F10535CBLK	S LOGO KEY CHAIN- BLACK	ALL MODELS
99000F10535CBLU	S LOGO KEY CHAIN- BLUE	
99000F10535CWHT	S LOGO KEY CHAIN- WHITE	
99000F10535CTPT	S LOGO KEY CHAIN-TRNSPT	
99000F10536CLDR	SUZUKI BLACK LEATHER KEY CHAIN	



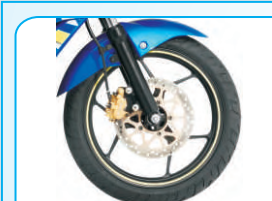
PART NO	ENGLISH NAME
99000F10424C000	BIKING GOGGLES



PART NO	ENGLISH NAME	MODEL
99000F10412C000	DECORATIVE VALVE CAP (SET)	ALL MODELS



PART NO	ENGLISH NAME	MODEL
99000F10299C000	TANK PAD	GSX150L5~ GSX150FL6~



PART NO	ENGLISH NAME	MODEL
99000F10528CBLU	RIM DECAL (BLUE)	GSX150L5~ GSX150FL6~
99000F10528CRED	RIM DECAL (RED)	
99000F10528CYLW	RIM DECAL (YELLOW)	

SUZUKI GENUINE ACCESSORIES



PART NO	ENGLISH NAME	MODEL
9900AF39J01C112	SEAT COVER	UR110L5~



PART NO	ENGLISH NAME	MODEL
9900AF34J01C112	SEAT COVER	GSX150L5~ GSX150FL6~



PART NO	ENGLISH NAME	MODEL
99000F10421C000	SEAT COVER MESH TYPE	UZ125L7~



PART NO	ENGLISH NAME	MODEL
99000F10425C000	FLOOR MAT WITH LOCK	UZ125L7~



PART NO	ENGLISH NAME	MODEL
99000F10420C000	SEAT COVER MESH TYPE	GE110L7~



PART NO	ENGLISH NAME	MODEL
9900AF39J03C001	FLOOR MAT	UR110L5~



PART NO	ENGLISH NAME	MODEL
99000F10110C000	SEAT COVER	UZ125K8



PART NO	ENGLISH NAME	MODEL
9900AF39J02C102	BODY COVER UR110	UR110L5~



PART NO	ENGLISH NAME	MODEL
99000F10531C000	SEAT COVER MESH TYPE	GSX150L5~ GSX150FL6~



PART NO	ENGLISH NAME	MODEL
9900AF34J02C10	BODY COVER GSX150	GSX150L5~

NOTE :- ALL ACCESSORY & APPAREL PRICES ARE AVAILABLE ON DRAS & MDMS.

SUZUKI GENUINE & RECOMMENDED ENGINE OIL



CASTROL



PART NO	TYPE	PACK SIZE
9900EF11001C011	10W30	1 Ltr.
99000F10W30CCS2	10W30	800 ML

IDEMITSU



PART NO	TYPE	PACK SIZE
9900EF21001C011	10W30	1 Ltr.
9900EF21001C017	10W30	700 ML

IDEMITSU



PART NO	TYPE	PACK SIZE
99000F10W40-IDT	10W40	1 Ltr.
-	-	-

MOTUL



PART NO	TYPE	PACK SIZE
9900EF33001C051	10W40	1 Ltr.
99000F10W40CMT4	10W40	800 ML

CASTROL



PART NO	TYPE	PACK SIZE
9900EF11001C021	20W40	1 Ltr.
9900EF11001C028	20W40	800 ML

IDEMITSU



PART NO	TYPE	PACK SIZE
9900EF21001C021	20W40	1 Ltr.
9900EF21001C028	20W40	800 ML

MOTUL



PART NO	TYPE	PACK SIZE
9900EF32001C031	10W40 (300V)	1 Ltr.
-	-	-

MOTUL



PART NO	TYPE	PACK SIZE
9900EF32001C041	10W40 (4T-7100)	1 Ltr.
-	-	-

NOTE :- KINDLY PLACE THE OIL ORDERS DIRECTLY TO OUR AUTHORISED OIL COMPANY.

SUZUKI GSX150DWBL8, PART CATALOGUE

1ST EDITION)
Published in 2017-8

© 2017 Suzuki Motor Corporation. All rights reserved.

No part of this document may be reproduced or transmitted in any form or by any means, electronic or mechanical, for any purpose, without the express written permission of Suzuki Motor Corporation.

SUZUKI MOTORCYCLE INDIA LIMITED,

Spare Parts Department
Village Kherki Dhaula , Badshahapur,N.H.-8,
Link Road, Gurgaon 12004 (HARYANA)

Reprint Prohibited (S)

1

INFORMATION
ILLUSTRATION INDEX

2

ENGINE
TRANSMISSION

3

ELECTRICAL

4

BODY

5

PARTS NUMBER INDEX

6

ACCESSORIES

SUZUKI MOTORCYCLE INDIA PRIVATE LTD



9900BF26051C006

9900BF26051C006

